



The table below describes the files that were selected to be included as part of this package.

Supplements, such as Figures and Illustrations, will appear as X number of Figures, X number of Illustrations, etc., rather than naming each one.

E468007-20190321-Description
Figure-65-Total
Illustration-119-Total

This material is provided on behalf of UL LLC (UL Solutions) or any authorized licensee of UL Solutions.

File E468007  
Project 4788874317

March 21, 2019

REPORT

on

LIGHT-EMITTING-DIODE SURFACE-MOUNTED LUMINAIRES

TORSHARE LTD  
SHENZHEN, CHINA

Copyright © 2019 UL LLC.

UL LLC authorizes the above named company to reproduce this Report only for purposes as described in the Conclusion, provided it is reproduced in its entirety.

## PRODUCT COVERED:

USL, CNL - Light-emitting-diode Surface-mounted Luminaires, Models refer to ELECTRICAL RATINGS table.

NOTE: USL - United States Standard, Listed  
CNL - Canadian Standard, Listed

## ELECTRICAL RATINGS:

Model	Voltage (V)	Frequency (Hz)	Current (A)	Power (W)	Locations Use	Mounting Type
TS-FL0802-15W-XXX-X-XXK (XXX) -YYY	120-277	50/60	0.138	15	Wet	Wall or Pole mounted
TS-FL0802-15W-XXX-X-XXK (XXX) -G, TS-FL0802-15W-XXX-X-D-XXK (XXX)	120-277	50/60	0.138	15		
*TS-FL0803-30W-XXX-D-X-XXK (XXX) ,	120-277	50/60	0.275	30		
*TS-FL0803-30W-XXX-X-XXK (XXX) -YYY	100-277 (#)	50/60	0.3	30		
	120-277	50/60	0.275 or 0.3	30		
*						
TS-FL0805-50W-XXX-D-X-XXK (XXX)	120-277	50/60	0.458	50		
*TS-FL0805-50W-XXX-X-XXK (XXX) -YYY	100-277 (#)	50/60	0.5	50		
	120-277	50/60	0.417 or 0.458 or 0.5	50		
TS-FL0807-70W-XXX-X-XXK (XXX) -YYY	120-277	50/60	0.642	70		
TS-FL0809-90W-XXX-X-XXK (XXX) -YYY	120-277	50/60	0.825	90		
TS-FL0810-100W-XXX-X-XXK (XXX)	120-277	50/60	0.917	100		
TS-FL0807-70W-XXX-D-X-XXK (XXX)	120-277	50/60	0.642	70		
TS-FL0809-90W-XXX-D-X-XXK (XXX)	120-277	50/60	0.825	90		
TS-FL0815-150W-XXX-D-X-XXK (XXX)	120-277	50/60	1.375	150		
TS-FL0815-150W-XXX-D-MV-X-XXK (XXX)	100-347	50/60	1.375	150		
TS-FL0815-150W/130W/100W-XXX-X-TP-XXK (XXX)	100-277/ 120-277	50/60	1.65	150		

\*

Con't

ELECTRICAL RATINGS:

Model	Voltage (V)	Frequency (Hz)	Current (A)	Power (W)	Locations Use	Mounting Type
TS-FL0815-150W-XXX-X-TC (XXX)	120-277	50/60	1.375	150	Wet	Wall or Pole mounted
TS-FL0810-100W-XXX-X-TC (XXX)	120-277	50/60	0.916	100		
TS-FL0805-50W-XXX-X-TC (XXX)	120-277	50/60	0.458	50		
TS-FL0805-50W-XXX-X-TCP (XXX) -YYY	120-277	50/60	0.458	50		
TS-FL0815-150W-XXX-X-TCP (XXX) -YYY	120-277	50/60	1.375	150		
TS-FL0815-150W-XXX-X-XXK (XXX) -YYY	120-277	50/60	1.375	150		
TS-FL0815-100W-XXX-X-TCP (XXX) -YYY	120-277	50/60	0.916	100		

Where:  
 The first "XXX" can be "80\*110, 60, 90, 6H\*6V, 7H\*6V, 4H\*4V" representing different Beam Angle;  
 "X" can be "K", "Y" or "S" representing different bracket type, "K" denotes "Knuckle", "Y" denotes "Yoke" and "S" denotes "Slip-fitter";  
 "XXK" can be 30K, 35K, 40K, 45K, 50K, 57K or 65K indicating color temperature;  
 \*"(XXX)" can be "(PTC)" for with **Photocell** Switch or blank for without **Photocell** Switch.  
 "TP" represents wattage selectable.  
 "TC" represents CCT selectable.  
 "TCP" represents CCT and wattage selectable.  
 "YYY" can be blank or three characters to represent commercial code for marketing purpose and no impact safety related critical components and constructions.

(#) when LED Driver rated 100-277Vac input.

Model	Voltage (V)	Frequency (Hz)	Current (A)	Power (W)	Locations Use	Mounting Type
TS-FL0908-80W-XXX-X-TCP(XXX)-YYY	120-277	50/60	0.73	80	Wet	Wall or Pole mounted
TS-FL0912-120W-XXX-X-TCP(XXX)-YYY	120-277	50/60	1.10	120		
<b>TS-FL1009-90W-XXX-X-TCP(XXX)-YYY</b>	<b>120-277</b>	<b>50/60</b>	<b>0.825</b>	<b>90</b>		
<p>Where:</p> <p>The first "XXX" can be "80*110, 60, 90, 6H*6V, 7H*6V, <b>7H*7V</b>, 4H*4V" representing different Beam Angle;</p> <p>"X" can be H, L or HY (Y=number) to represent lighting effect (no effect to power);</p> <p>*"(XXX)" can be "(PTC)" for with <b>Photocell</b> or blank for without <b>Photocell</b>.</p> <p>"YYY" can be blank or three characters to represent commercial code for marketing purpose and no impact safety related critical components and constructions.</p>						

\*

TECHNICAL CONSIDERATIONS (NOT FOR FIELD REPRESENTATIVE'S USE):

USL indicates product complies with the US Standard as described in the Test Record.

CNL indicates product complies with the Canadian Standard as described in the Test Record.

## GENERAL CONSTRUCTION:

These products comply with the Standards as described in the Test Record , and with the Section General and the Description on the following pages.

## CONSTRUCTION DETAILS:

Corrosion Protection - Ferrous metal parts are protected against corrosion by plating or baked painting.

All dimensions are nominal, within engineering tolerances, except where specifically indicated as a minimum or a maximum.

## MARKINGS:

Marking - The following markings shall be also provided in action to the required marking in accordance with the Standard and Section General. When pressure-sensitive label is used for a permanent type marking, it shall be R/C PGDQ2/8, suitable for the type of surface involved rated min. 90°C, located of outer surface of Driver Housing Cover.

- a) Listee's Name or UL File Number, Model number and Product Identifier in Format S16-L2;
- b) Electrical Rating in Format S24-L3;
- c) Manufacturing date, at least the month and year in Format S16-L2;
- d) "SUITABLE FOR WET LOCATION" in Format S24-L2;
- e) "SUITABLE FOR OPERATION IN AMBIENT NOT EXCEEDING 45°C";
- f) "DISCONNECT POWER BEFORE SERVICING" in Format S24-L1;
- g) "CAUTION - RISK OF SHOCK" in Format S24-L1;
- h) "All components in the luminaire shall not be replaced or serviced." or equivalent in Form S24-L1.
- i) "CAUTION - RISK OF FIRE" and "MIN 75°C SUPPLY CONDUCTORS"
- j) "SUITABLE FOR MOUNTING WITHIN 1.2M(4FT) OF THE GROUND"
- k) "Do not switch under load" for models TS-FL0810-100W-XXX-X-TC(XXX), TS-FL085-50W-XXX-X-TC(XXX), TS-FL0815-150W-XXX-X-TC(XXX), TS-FL0815-150W-XXX-X-TCP(XXX)-YYY, TS-FL0815-100W-XXX-X-TCP(XXX)-YYY, TS-FL0908-80W-XXX-X-TCP(XXX)-YYY, TS-FL0912-120W-XXX-X-TCP(XXX)-YYY, **TS-FL1009-90W-XXX-X-TCP(XXX)-YYY.**
- l) "Class I wiring" in form S16-L3, for models provided with field wired dimming leads

## Model Differences:

Models TS-FL0807-70W-XXX-D-X-XXK(XXX) and TS-FL0809-90W-XXX-D-X-XXK(XXX) are similar to Models TS-FL0807-70W-XXX-X-XXK(XXX) and TS-FL0809-90W-XXX(XXX) except LED Driver without dimming output, respectively.

Models TS-FL0803-30W-XXX-D-X-XXK(XXX) and TS-FL0805-50W-XXX-D-X-XXK(XXX) are similar to Models TS-FL0803-30W-XXX-X-XXK(XXX) and TS-FL0805-50W-XXX-X-XXK(XXX) except LED Driver with dimming output, respectively.

Model TS-FL0802-15W-XXX-X-XXK(XXX)-G is similar to Model TS-FL0802-15W-XXX-X-XXK(XXX) except LED Driver.

Model TS-FL0815-150W-XXX-D-MV-X-XXK(XXX) is similar to Model TS-FL0815-150W-XXX-D-X-XXK(XXX) except for LED Driver and input rating.

Model TS-FL0802-15W-XXX-X-D-XXK(XXX) is similar to Model TS-FL0802-15W-XXX-X-XXK(XXX)-G except different LED Driver with dimming leads.

Model TS-FL0815-150W-XXX-X-TC(XXX) is similar to Model TS-FL0815-150W-XXX-D-X-XXK(XXX) except for LED Driver, LED Modules and input rating.

Model TS-FL0810-100W-XXX-X-TC(XXX) is similar to Model TS-FL0810-100W-XXX-X-XXK(XXX) except for LED Driver, LED Modules and input rating.

Model TS-FL0805-50W-XXX-D-MV-X-XXK(XXX) is similar to Model TS-FL0805-50W-XXX-D-X-XXK(XXX) except for LED Driver, LED Modules and input rating.

Model **TS-FL0815-150W-XXX-X-TCP(XXX)-YYY** is similar to Model TS-FL0815-150W/130W/100W-XXX-X-TP-XXK(XXX) except for LED Driver, LED Modules, CCT switch and input rating.

Model TS-FL0805-50W-XXX-X-TCP(XXX)-YYY is similar to Model TS-FL0805-50W-XXX-X-TC(XXX) except LED Driver and LED Module.

Model TS-FL0815-150W-XXX-X-XXK(XXX)-YYY is similar to Model **TS-FL0815-150W-XXX-X-TCP(XXX)-YYY** except LED Driver and LED Module.

Model TS-FL0815-100W-XXX-X-TCP(XXX)-YYY is similar to Model **TS-FL0815-150W-XXX-X-TCP(XXX)-YYY** except for LED Driver, LED Modules and input rating.

Catalog number (new) replaces catalog number (old) as follows. All references below are to the "old" catalog number.

Catalog Number (old)	Catalog Number (new)
TS-FL0807-70W-XXX-X-XXK	TS-FL0807-70W-XXX-X-XXK (XX)
TS-FL0809-90W-XXX-X-XXK	TS-FL0809-90W-XXX-X-XXK (XX)
TS-FL0810-100W-XXX-X-XXK	TS-FL0810-100W-XXX-X-XXK (XX)
TS-FL0803-30W-XXX-X-XXK	TS-FL0803-30W-XXX-X-XXK (XXX)
TS-FL0803-30W-XXX-D-X-XXK	TS-FL0803-30W-XXX-D-X-XXK (XXX)
TS-FL0805-50W-XXX-X-XXK	TS-FL0805-50W-XXX-X-XXK (XXX)
TS-FL0805-50W-XXX-D-X-XXK	TS-FL0805-50W-XXX-D-X-XXK (XXX)
TS-FL0807-70W-XXX-X-XXK (XX)	TS-FL0807-70W-XXX-X-XXK (XXX)
TS-FL0809-90W-XXX-X-XXK (XX)	TS-FL0809-90W-XXX-X-XXK (XXX)
TS-FL0810-100W-XXX-X-XXK (XX)	TS-FL0810-100W-XXX-X-XXK (XXX)
TS-FL0807-70W-XXX-D-X-XXK (XX)	TS-FL0807-70W-XXX-D-X-XXK (XXX)
TS-FL0809-90W-XXX-D-X-XXK (XX)	TS-FL0809-90W-XXX-D-X-XXK (XXX)
TS-FL0815-150W-XXX-D-X-XXK (XX)	TS-FL0815-150W-XXX-D-X-XXK (XXX)
TS-FL0802-15W-XXX-X-XXK	TS-FL0802-15W-XXX-X-XXK (XXX)
TS-FL0802-15W-XXX-X-XXK-G	TS-FL0802-15W-XXX-X-XXK (XXX) -G
TS-FL0802-15W-XXX-D-XXK	TS-FL0802-15W-XXX-X-D-XXK (XXX)

Catalog Number (old)	Catalog Number (new)
TS-FL0802-15W-XXX-X-XXK (XXX)	TS-FL0802-15W-XXX-X-XXK (XXX) -YYY
TS-FL0803-30W-XXX-X-XXK (XXX)	TS-FL0803-30W-XXX-X-XXK (XXX) -YYY
TS-FL0805-50W-XXX-X-XXK (XXX)	TS-FL0805-50W-XXX-X-XXK (XXX) -YYY
TS-FL0807-70W-XXX-X-XXK (XXX)	TS-FL0807-70W-XXX-X-XXK (XXX) -YYY
TS-FL0809-90W-XXX-X-XXK (XXX)	TS-FL0809-90W-XXX-X-XXK (XXX) -YYY

INSTALLATION INSTRUCTIONS:

Each luminaire shall be packed with installation instructions.

ILLUSTRATIONS:

ILL. No.	Model	Description
1	TS-FL0802-15W-XXX-K-XXX, TS-FL0802-15W-XXX-K-XXX-G, TS-FL0802-15W-XXX-X-D-XXX (XXX) TS-FL0802-15W-XXX-X-XXX (XXX) -YYY	
1A	TS-FL0803-30W-XXX-K-XXX, TS-FL0803-30W-XXX-D-X-XXX, TS-FL0803-30W-XXX-X-XXX (XXX) -YYY TS-FL0805-50W-XXX-K-XXX, TS-FL0805-50W-XXX-D-X-XXX, TS-FL0805-50W-XXX-X-TC (XXX) TS-FL0805-50W-XXX-X-XXX (XXX) -YYY TS-FL0805-50W-XXX-X-TCP (XXX) -YYY, <b>TS-FL1009-90W-XXX-X-TCP (XXX) -YYY</b>	
1B	TS-FL0807-70W-XXX-K-XXX, TS-FL0807-70W-XXX-D-K-XXX (XX) , TS-FL0807-70W-XXX-X-XXX (XXX) -YYY TS-FL0809-90W-XXX-K-XXX, TS-FL0809-90W-XXX-D-K-XXX (XX) , TS-FL0809-90W-XXX-X-XXX (XXX) -YYY TS-FL0810-100W-XXX-K-XXX, TS-FL0810-100W-XXX-X-TC (XXX)	Dimension drawing of Mounting bracket (Knuckle).
1C	TS-FL0815-150W-XXX-D-X-XXX (XX) , TS-FL0815-150W-XXX-D-MV-X-XXX (XXX) , TS-FL0815-150W/130W/100W-XXX-X-TP-XXX (XXX) , TS-FL0815-150W-XXX-X-TC (XXX) , TS-FL0815-150W-XXX-X-TCP (XXX) -YYY, TS-FL0815-150W-XXX-X-XXX (XXX) -YYY, , TS-FL0815-100W-XXX-X-TCP (XXX) -YYY	
1D	TS-FL0908-80W-XXX-X-TCP (XXX) -YYY TS-FL0912-120W-XXX-X-TCP (XXX) -YYY	Dimension drawing of Mounting Bracket (Knuckle)
<b>1E</b>	<b>TS-FL1009-90W-XXX-X-TCP (XXX) -YYY</b>	
		<b>Dimension drawing of Mounting Bracket (Knuckle)</b>

ILL. No.	Model	Description
2	TS-FL0802-15W-XXX-Y-XXK, TS-FL0802-15W-XXX-Y-XXK-G, TS-FL0802-15W-XXX-X-D-XXK (XXX) TS-FL0802-15W-XXX-X-XXK (XXX) -YYY	Dimension drawing of Mounting bracket (Yoke).
2A	TS-FL0803-30W-XXX-Y-XXK, TS-FL0803-30W-XXX-D-X-XXK, TS-FL0803-30W-XXX-X-XXK (XXX) -YYY	
2B	TS-FL0805-50W-XXX-Y-XXK, TS-FL0805-50W-XXX-D-X-XXK, TS-FL0805-50W-XXX-X-TC (XXX) TS-FL0805-50W-XXX-X-XXK (XXX) -YYY TS-FL0805-50W-XXX-X-TCP (XXX) -YYY	
2C	TS-FL0807-70W-XXX-Y-XXK, TS-FL0807-70W-XXX-D-Y-XXK (XX) , TS-FL0807-70W-XXX-X-XXK (XXX) -YYY TS-FL0809-90W-XXX-Y-XXK, TS-FL0809-90W-XXX-D-Y-XXK (XX) , TS-FL0809-90W-XXX-X-XXK (XXX) -YYY TS-FL0810-100W-XXX-Y-XXXK-X-HV-XXK, TS- FL0810-100W-XXX-X-TC (XXX)	
2D	TS-FL0815-150W-XXX-D-X-XXK (XX) , TS-FL0815-150W-XXX-D-MV-X-XXK (XXX) , TS-FL0815-150W/130W/100W-XXX-X-TP-XXK (XXX) , TS-FL0815-150W-XXX-X-TC (XXX) , TS-FL0815-150W-XXX-X-TCP (XXX) -YYY, TS-FL0815-150W-XXX-X-XXK (XXX) -YYY, , TS- FL0815-100W-XXX-X-TCP (XXX) -YYY	
2E	TS-FL0908-80W-XXX-X-TCP (XXX) -YYY	
2F	TS-FL0912-120W-XXX-X-TCP (XXX) -YYY	Dimension drawing of Mounting bracket (Yoke).
2G	TS-FL1009-90W-XXX-X-TCP (XXX) -YYY	Dimension drawing of Mounting bracket (Yoke).
2H		

## INSTALLATION INSTRUCTIONS: (Continued)

ILL. No.	Model	Description
3	TS-FL0807-70W-XXX-S-XXK, TS-FL0807-70W-XXX-D-S-XXK (XX) , TS-FL0807-70W-XXX-X-XXK (XXX) -YYY TS-FL0809-90W-XXX-S-XXK, TS-FL0809-90W-XXX-D-S-XXK (XX) , TS-FL0809-90W-XXX-X-XXK (XXX) -YYY TS-FL0810-100W-XXX-S-XXK, TS-FL0810-100W-XXX-X-TC (XXX)	Dimension drawing of Mounting bracket (Slip-fitter).
3A	TS-FL0815-150W-XXX-D-X-XXK (XX) , TS-FL0815-150W-XXX-D-MV-X-XXK (XXX) , TS-FL0815-150W/130W/100W-XXX-X-TP-XXK (XXX) , TS-FL0815-150W-XXX-X-TC (XXX) , TS-FL0815-150W-XXX-X-TCP (XXX) -YYY, TS-FL0815-150W-XXX-X-XXK (XXX) -YYY, , TS-FL0815-100W-XXX-X-TCP (XXX) -YYY	
3B	TS-FL0908-80W-XXX-X-TCP (XXX) -YYY TS-FL0912-120W-XXX-X-TCP (XXX) -YYY	Dimension drawing of Mounting bracket (Slip-fitter).
4	TS-FL0802-15W-XXX-X-XXK (XXX) -YYY, TS-FL0802-15W-XXX-X-XXK (XXX) -G, TS-FL0802-15W-XXX-X-D-XXK (XXX)	*Dimension drawing of Enclosure.
4A	TS-FL0803-30W-XXX-X-XXK-YYY, TS-FL0803-30W-XXX-D-X-XXK,	
4B	TS-FL0805-50W-XXX-X-XXK (XXX) -YYY, TS-FL0805-50W-XXX-D-X-XXK, TS-FL0805-50W-XXX-X-TC (XXX) TS-FL0805-50W-XXX-X-TCP (XXX) -YYY	
4C	TS-FL0807-70W-XXX-X-XXK (XXX) -YYY, TS-FL0807-70W-XXX-D-X-XXK (XX) , TS-FL0809-90W-XXX-X-XXK (XXX) -YYY, TS-FL0809-90W-XXX-D-X-XXK (XX) , TS-FL0810-100W-XXX-X-XXK, TS-FL0810-100W-XXX-X-TC (XXX)	
4D	TS-FL0815-150W-XXX-D-X-XXK (XX) , TS-FL0815-150W-XXX-D-MV-X-XXK (XXX) , TS-FL0815-150W/130W/100W-XXX-X-TP-XXK (XXX) , TS-FL0815-150W-XXX-X-TC (XXX) , TS-FL0815-150W-XXX-X-TCP (XXX) -YYY, TS-FL0815-150W-XXX-X-XXK (XXX) -YYY, , TS-FL0815-100W-XXX-X-TCP (XXX) -YYY	
4E	TS-FL0908-80W-XXX-X-TCP (XXX) -YYY	Dimension drawing of Enclosure.
4F	TS-FL0912-120W-XXX-X-TCP (XXX) -YYY	Dimension drawing of Enclosure.
<b>4G</b>	<b>TS-FL1009-90W-XXX-X-TCP (XXX) -YYY</b>	<b>Dimension drawing of Enclosure.</b>

## INSTALLATION INSTRUCTIONS: (Continued)

ILL. No.	Model	Description
5	TS-FL0802-15W-XXX-X-XXK (XXX) -YYY, TS-FL0802-15W-XXX-X-XXK (XXX) -G, TS-FL0802-15W-XXX-X-D-XXK (XXX)	Dimension drawing of Driver housing cover.
5A	TS-FL0803-30W-XXX-X-XXK (XXX) -YYY, TS-FL0805-30W-XXX-D-X-XXK,	
5B	TS-FL0805-50W-XXX-X-XXK (XXX) -YYY, TS-FL0805-50W-XXX-D-X-XXK, TS-FL0805-50W-XXX-X-TC (XXX) TS-FL0805-50W-XXX-X-TCP (XXX) -YYY	
5C	TS-FL0807-70W-XXX-X-XXK (XXX) -YYY, TS-FL0807-70W-XXX-D-X-XXK (XX) , TS-FL0809-90W-XXX-X-XXK (XXX) -YYY, TS-FL0809-90W-XXX-D-X-XXK (XX) , TS-FL0810-100W-XXX-X-XXK, TS-FL0810-100W-XXX-X-TC (XXX)	
5D	TS-FL0815-150W-XXX-D-X-XXK (XX) , TS-FL0815-150W-XXX-D-MV-X-XXK (XXX) , TS-FL0815-150W/130W/100W-XXX-X-TP-XXK (XXX) , TS-FL0815-150W-XXX-X-TC (XXX)	
5E	TS-FL0815-150W/130W/100W-XXX-X-TP-XXK (XXX) , TS-FL0815-150W-XXX-X-TCP (XXX) -YYY, TS-FL0815- 100W-XXX-X-TCP (XXX) -YYY	
5F	TS-FL0815-150W-XXX-X-XXK (XXX) -YYY	
<b>5G</b>	<b>TS-FL1009-90W-XXX-X-TCP (XXX) -YYY</b>	

## ILLUSTRATION (Continued):

ILL. No.	Model	Description
6	TS-FL0802-15W-XXX-X-XXK (XXX) -YYY, TS-FL0802-15W-XXX-X-XXK (XXX) -G, TS-FL0802-15W-XXX-X-D-XXK (XXX)	Dimension drawing of Diffuser.
6A	TS-FL0803-30W-XXX-X-XXK (XXX) -YYY, TS-FL0803-30W-XXX-D-X-XXK	
6B	TS-FL0805-50W-XXX-X-XXK (XXX) -YYY, TS-FL0805-50W-XXX-D-X-XXK, TS-FL0805-50W-XXX-X-TC (XXX) TS-FL0805-50W-XXX-X-TCP (XXX) -YYY	
6C	TS-FL0807-70W-XXX-X-XXK (XXX) -YYY, TS-FL0807-70W-XXX-D-X-XXK (XX) , TS-FL0809-90W-XXX-X-XXK (XXX) -YYY, TS-FL0809-90W-XXX-D-X-XXK (XX) , TS-FL0810-100W-XXX-X-XXK, TS-FL0810-100W-XXX-X-TC (XXX)	
6D	TS-FL0815-150W-XXX-D-X-XXK (XX) , TS-FL0815-150W-XXX-D-MV-X-XXK (XXX) , TS-FL0815-150W/130W/100W-XXX-X-TP-XXK (XXX) , TS-FL0815-150W-XXX-X-TC (XXX) , TS-FL0815-150W-XXX-X-TCP (XXX) -YYY, TS-FL0815-150W-XXX-X-XXK (XXX) -YYY, TS-FL0815-100W-XXX-X-TCP (XXX) -YYY	
6E	TS-FL0908-80W-XXX-X-TCP (XXX) -YYY	
6F	TS-FL0912-120W-XXX-X-TCP (XXX) -YYY	
<b>6G</b>	<b>TS-FL1009-90W-XXX-X-TCP (XXX) -YYY</b>	<b>Dimension drawing of Diffuser.</b>

\*

**ILLUSTRATION (Continued):**

ILL. No.	Model	Description
7	TS-FL0802-15W-XXX-X-XXK (XXX) -YYY, TS-FL0802-15W-XXX-X-XXK (XXX) -G, TS-FL0802-15W-XXX-X-D-XXK (XXX)	Dimension drawing of Gasket 1.
7A	TS-FL0803-30W-XXX-X-XXK (XXX) -YYY, TS-FL0803-30W-XXX-D-X-XXK	
7B	TS-FL0805-50W-XXX-X-XXK (XXX) -YYY, TS-FL0805-50W-XXX-D-X-XXK, TS-FL0805-50W-XXX-X-TC (XXX) TS-FL0805-50W-XXX-X-TCP (XXX) -YYY	
7C	TS-FL0807-70W-XXX-X-XXK (XXX) -YYY, TS-FL0807-70W-XXX-D-X-XXK (XX) , TS-FL0809-90W-XXX-X-XXK (XXX) -YYY, TS-FL0809-90W-XXX-D-X-XXK (XX) , TS-FL0810-100W-XXX-X-XXK, T S-FL0810-100W-XXX-X-TC (XXX)	
7D	TS-FL0815-150W-XXX-D-X-XXK (XX) , TS-FL0815-150W-XXX-D-MV-X-XXK (XXX) , TS-FL0815-150W/130W/100W-XXX-X-TP-XXK (XXX) , TS-FL0815-150W-XXX-X-TC (XXX) , TS-FL0815-150W-XXX-X-TCP (XXX) -YYY, TS-FL0815-150W-XXX-X-XXK (XXX) -YYY, TS-FL0815-100W-XXX-X-TCP (XXX) -YYY	
7E	TS-FL1009-90W-XXX-X-TCP (XXX) -YYY	

**ILLUSTRATION (Continued):**

ILL. No.	Model	Description
8	TS-FL0802-15W-XXX-X-XXK (XXX) -YYY, TS-FL0802-15W-XXX-X-XXK (XXX) -G, TS-FL0802-15W-XXX-X-D-XXK (XXX)	Dimension drawing of Gasket 2.
8A	TS-FL0803-30W-XXX-X-XXK (XXX) -YYY, TS-FL0803-30W-XXX-D-X-XXK	
8B	TS-FL0805-50W-XXX-X-XXK (XXX) -YYY, TS-FL0805-50W-XXX-D-X-XXK, TS-FL0805-50W-XXX-X-TC (XXX) TS-FL0805-50W-XXX-X-TCP (XXX) -YYY	
8C	TS-FL0807-70W-XXX-X-XXK (XXX) -YYY, TS-FL0807-70W-XXX-D-X-XXK (XX) , TS-FL0809-90W-XXX-X-XXK -YYY, TS-FL0809-90W-XXX-D-X-XXK (XX) , TS-FL0810-100W-XXX-X-XXK, TS-FL0810-100W-XXX-X-TC (XXX)	Dimension drawing of Gasket 2.
8D	TS-FL0815-150W-XXX-D-X-XXK (XX) , TS-FL0815-150W-XXX-D-MV-X-XXK (XXX) , TS-FL0815-150W/130W/100W-XXX-X-TP-XXK (XXX) , TS-FL0815-150W-XXX-X-TC (XXX) , TS-FL0815-150W-XXX-X-TCP (XXX) -YYY, TS-FL0815-150W-XXX-X-XXK (XXX) -YYY, TS-FL0815-100W-XXX-X-TCP (XXX) -YYY	
8E	TS-FL1009-90W-XXX-X-TCP (XXX) -YYY	

## ILLUSTRATION (Continued):

ILL. No.	Model	Description
8C	TS-FL0807-70W-XXX-X-XXX (XXX) -YYY, TS-FL0807-70W-XXX-D-X-XXX (XX) , TS-FL0809-90W-XXX-X-XXX-YYY, TS-FL0809-90W-XXX-D-X-XXX (XX) , TS-FL0810-100W-XXX-X-XXX, TS-FL0810-100W-XXX-X-TC (XXX)	Dimension drawing of Gasket 2.
8D	TS-FL0815-150W-XXX-D-X-XXX (XX) , TS-FL0815-150W-XXX-D-MV-X-XXX (XXX) , TS-FL0815-150W/130W/100W-XXX-X-TP-XXX (XXX) , TS-FL0815-150W-XXX-X-TC (XXX) , TS-FL0815-150W-XXX-X-TCP (XXX) -YYY, TS-FL0815-150W-XXX-X-XXX (XXX) -YYY, TS- FL0815-100W-XXX-X-TCP (XXX) -YYY	
*9	All models	Dimension drawing of <b>Bushing.</b>
10	TS-FL0807-70W-XXX-X-XXX, TS-FL0807-70W-XXX-D-X-XXX (XX) , TS-FL0807-70W-XXX-X-XXX (XXX) -YYY TS-FL0809-90W-XXX-X-XXX, TS-FL0809-90W-XXX-D-X-XXX (XX) , TS-FL0809-90W-XXX-X-XXX (XXX) -YYY TS-FL0810-100W-XXX-X-XXX, TS-FL0810-100W-XXX-X-TC (XXX)	Dimension drawing of Driver Bracket
10A	TS-FL0815-150W-XXX-D-X-XXX (XX) , TS-FL0815-150W-XXX-D-MV-X-XXX (XXX) , TS-FL0815-150W/130W/100W-XXX-X-TP-XXX (XXX) , TS-FL0815-150W-XXX-X-TC (XXX) , TS-FL0815-150W-XXX-X-TCP (XXX) -YYY, TS-FL0815-150W-XXX-X-XXX (XXX) -YYY, TS- FL0815-100W-XXX-X-TCP (XXX) -YYY	
<b>10B</b>	<b>TS-FL1009-90W-XXX-X-TCP (XXX) -YYY</b>	<b>Dimension drawing of Driver Bracket</b>
11	TS-FL0802-15W-XXX-X-XXX (XXX) , TS-FL0802-15W-XXX-X-XXX (XXX) -G, TS-FL0802-15W-XXX-X-D-XXX (XXX)	PWB trace layout.
12, 13	TS-FL0803-30W-XXX-X-XXX, TS-FL0803-30W-XXX-D-X-XXX,	
13, 13A	TS-FL0805-50W-XXX-X-XXX, TS-FL0805-50W-XXX-D-X-XXX,	
13B	TS-FL0805-50W-XXX-X-TC (XXX)	
14	TS-FL0807-70W-XXX-X-XXX, TS-FL0807-70W-XXX-D-X-XXX (XX)	

\*

## ILLUSTRATION (Continued):

ILL. No.	Model	Description
15	TS-FL0809-90W-XXX-X-XXK, TS-FL0809-90W-XXX-D-X-XXK (XX) , TS-FL0810-100W-XXX-X-XXK	PWB trace layout.
15A	TS-FL0810-100W-XXX-X-TC (XXX)	

## ILLUSTRATION (Continued):

ILL. No.	Model	Description
16	TS-FL0807-70W-XXX-D-X-XXXK (XX)	PWB trace layout
17	TS-FL0809-90W-XXX-D-X-XXXK (XX)	
18	TS-FL0815-150W-XXX-D-X-XXXK (XX) , TS-FL0815-150W-XXX-D-MV-X-XXXK (XXX)	
18A	TS-FL0815-150W-XXX-X-TC (XXX) , <b>TS-FL0815-150W-XXX-X-TCP (XXX) -YYY</b>	
<b>18B</b>	<b>TS-FL0815-150W-XXX-X-TCP (XXX) -YYY</b>	
20	TS-FL0815-150W/130W/100W-XXX-X-TP-XXXK (XXX)	
19	All models except model TS-FL0815-150W/130W/100W-XXX-X-TP-XXXK (XXX)	Installation Instructions.
19A	TS-FL0815-150W/130W/100W-XXX-X-TP-XXXK (XXX)	
19B	TS-FL0815-150W-XXX-X-TC (XXX) , TS-FL0810-100W-XXX-X-TC (XXX) , TS-FL0805-50W-XXX-X-TC (XXX)	
19C	<b>TS-FL0815-150W-XXX-X-TCP (XXX) -YYY</b>	
19D	TS-FL0815-100W-XXX-X-TCP (XXX) -YYY	
21	TS-FL0815-150W/130W/100W-XXX-X-TP-XXXK (XXX)	PWB trace layout of Switch control
22	TS-FL0815-150W/130W/100W-XXX-X-TP-XXXK (XXX)	schematic diagram of Switch control
23	TS-FL0815-150W-XXX-X-TC (XXX) ,	PWB trace layout of CCT Switch control
24	TS-FL0810-100W-XXX-X-TC (XXX) , TS-FL0805-50W-XXX-X-TC (XXX)	schematic diagram of CCT Switch control
25	<b>TS-FL0815-150W-XXX-X-TCP (XXX) -YYY</b> , TS-FL0815-100W-XXX-X-TCP (XXX) -YYY	PWB trace layout of CCT and Wattage Switch control
26		schematic diagram of CCT and Wattage Switch control

Note: Unit for all drawings are in mm(millimeter) except otherwise specified.

## ILLUSTRATION (Continued):

ILL. No.	Model	Description (unit: mm)
27	TS-FL0802-15W-XXX-X-XXK (XXX) -YYY	Alternate LED Module PWB trace layout and circuit
28	TS-FL0803-30W-XXX-X-XXK (XXX) -YYY	
29	TS-FL0805-50W-XXX-X-XXK (XXX) -YYY	
30	TS-FL0805-50W-XXX-X-TCP (XXX) -YYY	
31	TS-FL0807-70W-XXX-X-XXK (XXX) -YYY	
32	TS-FL0809-90W-XXX-X-XXK (XXX) -YYY	
33	TS-FL0815-150W-XXX-X-XXK (XXX) -YYY	
34	TS-FL0802-15W-XXX-X-XXK (XXX) -YYY	PET Insulation sheet for driver Cat. No. FS-TS058B0150TW (p.8D)
35	TS-FL0802-15W-XXX-X-XXK (XXX) -YYY TS-FL0803-30W-XXX-X-XXK (XXX) -YYY TS-FL0805-50W-XXX-X-XXK (XXX) -YYY TS-FL0805-50W-XXX-X-TCP (XXX) -YYY TS-FL0807-70W-XXX-X-XXK (XXX) -YYY TS-FL0809-90W-XXX-X-XXK (XXX) -YYY TS-FL0815-150W-XXX-X-XXK (XXX) -YYY	Manual
36	TS-FL0815-100W-XXX-X-TCP (XXX) -YYY	LED Module PWB trace layout and circuit
37A	TS-FL0908-80W-XXX-X-TCP (XXX) -YYY	LED Module PWB trace layout and circuit
37B	TS-FL0912-120W-XXX-X-TCP (XXX) -YYY	
<b>37C</b>	<b>TS-FL1009-90W-XXX-X-TCP (XXX) -YYY</b>	<b>LED Module PWB trace layout and circuit</b>
38	TS-FL0908-80W-XXX-X-TCP (XXX) -YYY TS-FL0912-120W-XXX-X-TCP (XXX) -YYY	Manual
39A	TS-FL0908-80W-XXX-X-TCP (XXX) -YYY	Dimension drawing of Closure Plug
39B	TS-FL0912-120W-XXX-X-TCP (XXX) -YYY	
40	TS-FL0908-80W-XXX-X-TCP (XXX) -YYY TS-FL0912-120W-XXX-X-TCP (XXX) -YYY	Dimension drawing of Breather Valve
41		Dimension drawing of Securement Clamps
42A, B		Dimension Drawing of Switch PWB Bracket
43		Trace layout of PWB of CCT and Wattage Switch Control
44		Circuit diagram of PWB of CCT and Wattage Switch Control
45		Component list of CCT and Wattage Switch Control
46A, B		Dimension Drawing of Reflector
*		

## ILLUSTRATION (Continued):

ILL. No.	Model	Description (unit: mm)
47	TS-FL0908-80W-XXX-X-TCP (XXX) -YYY	Dimension Drawing of Photocell Housing
48	TS-FL0912-120W-XXX-X-TCP (XXX) -YYY	PWB layout of Photocell
49	TS-FL1009-90W-XXX-X-TCP (XXX) -YYY	Dimension Drawing of Photocell Gasket
50	TS-FL1009-90W-XXX-X-TCP (XXX) -YYY	Dimension Drawing of CCT and Wattage Switch Control Housings
50A	TS-FL1009-90W-XXX-X-TCP (XXX) -YYY	Dimension Drawing of CCT and Wattage Switch Control Housings Cover
50B	TS-FL1009-90W-XXX-X-TCP (XXX) -YYY	Trace layout of PWB of CCT and Wattage Switch Control

\*

MODELS TS-FL0810-100W-XXX-X-XXK AND TS-FL0805-50W-XXX-X-XXK, FIGS. 1 - 9  
 MODEL TS-FL0815-150W-XXX-D-X-XXK (XX), FIGS. 11 - 15  
 MODEL TS-FL0815-150W/130W/100W-XXX-X-TP-XXK (XXX), FIGS. 16 - 19  
 MODEL TS-FL0912-120W-XXX-X-TCP (XXX) -YYY, FIGS. 23-24  
 MODEL TS-FL0908-80W-XXX-X-TCP (XXX) -YYY, FIGS. 25-36  
**MODEL TS-FL1009-90W-XXX-X-TCP (XXX) -YYY, FIGS. 37-40**

General - Figs. 1 through 5 show overall, disassembled and LED Module views of Model TS-FL0810-100W-XXX-X-XXK. Also, represents Models TS-FL0807-70W-XXX-X-XXK, TS-FL0809-90W-XXX-X-XXK except specified otherwise. Figs. 6 through 9 show overall, disassembled and LED Module views of Model TS-FL0805-50W-XXX-X-XXK. Also, represents Models TS-FL0802-15W-XXX-X-XXK (XXX), TS-FL0802-15W-XXX-X-XXK (XXX) -G, TS-FL0802-15W-XXX-X-D-XXK (XXX), TS-FL0803-30W-XXX-X-XXK, TS-FL0803-30W-XXX-D-X-XXK and TS-FL0805-50W-XXX-D-X-XXK except specified otherwise. Fig. 10 shows the overall view of Mounting Bracket for all models. Figs. 11 through 15 show overall and disassembled views of Models TS-FL0815-150W-XXX-D-X-XXK (XX). Also, represents Models TS-FL0807-70W-XXX-D-X-XXK (XX), TS-FL0809-90W-XXX-D-X-XXK (XX), and TS-FL0815-150W-XXX-D-MV-X-XXK (XXX), TS-FL0815-100W-XXX-X-TCP (XXX) -YYY. Figs. 16 through 19 show overall, disassembled views of Models TS-FL0815-150W/130W/100W-XXX-X-TP-XXK (XXX).

- \*1. Mounting Bracket (Knuckle) - **Die-Cast** aluminum, min. **1.2** mm thick. Consists of two piece construction, secured together by a screw and nut. Secured to enclosure by self-threaded. See below table for applicable models and illustrations in detailed dimensions.

Model	ILL. No. for Knuckle
TS-FL0802-15W-XXX-K-XXK, TS-FL0802-15W-XXX-K-XXK-G, TS-FL0802-15W-XXX-X-D-XXK (XXX) TS-FL0802-15W-XXX-X-XXK (XXX) -YYY	1
TS-FL0803-30W-XXX-K-XXK, TS-FL0803-30W-XXX-D-K-XXK, TS-FL0805-50W-XXX-K-XXK, TS-FL0803-30W-XXX-X-XXK (XXX) -YYY TS-FL0805-50W-XXX-D-K-XXK, TS-FL0805-50W-XXX-X-TC (XXX) TS-FL0805-50W-XXX-X-XXK (XXX) -YYY TS-FL0805-50W-XXX-X-TCP (XXX) -YYY	1A
TS-FL0807-70W-XXX-K-XXK, TS-FL0807-70W-XXX-D-K-XXK (XX) , TS-FL0807-70W-XXX-X-XXK (XXX) -YYY TS-FL0809-90W-XXX-K-XXK, TS-FL0809-90W-XXX-D-K-XXK (XX) , TS-FL0809-90W-XXX-X-XXK (XXX) -YYY TS-FL0810-100W-XXX-K-XXK, TS-FL0810-100W-XXX-X-TC (XXX)	1B
TS-FL0815-150W-XXX-D-K-XXK (XX) , TS-FL0815-150W-XXX-D-MV-X-XXK (XXX) , TS-FL0815-150W/130W/100W-XXX-X-TP-XXK (XXX) , TS-FL0815-150W-XXX-X-TC (XXX) , TS-FL0815-150W-XXX-X-TCP (XXX) -YYY, TS-FL0815-150W-XXX-X-XXK (XXX) -YYY, TS- FL0815-100W-XXX-X-TCP (XXX) -YYY	1C

**\*Mounting Bracket (Knuckle) - Continue.**

Model	ILL. No. for Knuckle
TS-FL0908-80W-XXX-X-TCP(XXX)-YYY TS-FL0912-120W-XXX-X-TCP(XXX)-YYY	1D
<b>TS-FL1009-90W-XXX-X-TCP(XXX)-YYY</b>	<b>1A+1E (Combined together)</b>

\*Alternate (Yoke) -**Plated or painted Steel**, min **1.2** mm thick. Secured to Enclosure by screws. See below table for applicable models and illustrations in detailed dimensions.

Model	ILL. No. for Yoke
TS-FL0802-15W-XXX-Y-XXK, TS-FL0802-15W-XXX-Y-XXK-G, TS-FL0802-15W-XXX-X-D-XXK (XXX) TS-FL0802-15W-XXX-X-XXK (XXX) -YYY	2
TS-FL0803-30W-XXX-Y-XXK, TS-FL0803-30W-XXX-D-Y-XXK TS-FL0803-30W-XXX-X-XXK (XXX) -YYY	2A
TS-FL0805-50W-XXX-Y-XXK, TS-FL0805-50W-XXX-D-Y-XXK, TS-FL0805-50W-XXX-X-TC (XXX) TS-FL0805-50W-XXX-X-XXK (XXX) -YYY TS-FL0805-50W-XXX-X-TCP (XXX) -YYY	2B
TS-FL0807-70W-XXX-Y-XXK, TS-FL0807-70W-XXX-D-Y-XXK (XX) , TS-FL0807-70W-XXX-X-XXK (XXX) -YYY TS-FL0809-90W-XXX-Y-XXK, TS-FL0809-90W-XXX-D-Y-XXK (XX) , TS-FL0809-90W-XXX-X-XXK (XXX) -YYY TS-FL0810-100W-XXX-Y-XXK, TS-FL0810-100W-XXX-X-TC (XXX)	2C
TS-FL0815-150W-XXX-D-Y-XXK (XX) , TS-FL0815-150W-XXX-D-MV-X-XXK (XXX) , TS-FL0815-150W/130W/100W-XXX-X-TP-XXK (XXX) , TS-FL0815-150W-XXX-X-TC (XXX) , TS-FL0815-150W-XXX-X-TCP (XXX) -YYY, TS-FL0815-150W-XXX-X-XXK (XXX) -YYY, TS-FL0815- 100W-XXX-X-TCP (XXX) -YYY	2D
TS-FL0908-80W-XXX-X-TCP (XXX) -YYY	2E
TS-FL0912-120W-XXX-X-TCP (XXX) -YYY	2F
<b>TS-FL1009-90W-XXX-X-TCP (XXX) -YYY</b>	<b>2G+2H (Combined together)</b>

\*Alternate (Slip-Fitter) - **Die-Cast** aluminum, min **1.2** mm thick. Consists of two piece construction, secured together by a screw and nut. Secured to Enclosure by screws. See below table for applicable models and illustrations in detailed dimensions.

Model	ILL. No. for Slip-Fitter
TS-FL0807-70W-XXX-S-XXX, TS-FL0807-70W-XXX-D-S-XXX (XX) , TS-FL0807-70W-XXX-X-XXX (XXX) -YYY TS-FL0809-90W-XXX-S-XXX, TS-FL0809-90W-XXX-D-S-XXX (XX) , TS-FL0809-90W-XXX-X-XXX (XXX) -YYY TS-FL0810-100W-XXX-S-XXX, TS-FL0810-100W-XXX-X-TC (XXX)	3
TS-FL0815-150W-XXX-D-S-XXX (XX) , TS-FL0815-150W-XXX-D-MV-X-XXX (XXX) , TS-FL0815-150W/130W/100W-XXX-X-TP-XXX (XXX) , TS-FL0815-150W-XXX-X-TC (XXX) , TS-FL0815-150W-XXX-X-TCP (XXX) -YYY, TS-FL0815-150W-XXX-X-XXX (XXX) -YYY, TS- FL0815-100W-XXX-X-TCP (XXX) -YYY	3A
TS-FL0908-80W-XXX-X-TCP (XXX) -YYY TS-FL0912-120W-XXX-X-TCP (XXX) -YYY	3B

- \*2. Enclosure - **Die-Cast** aluminum, min. **1.2** mm thick. See below table for applicable models and illustrations in detailed dimensions.

Model	ILL. No. for Enclosure
TS-FL0802-15W-XXX-X-XXX (XXX) -YYY TS-FL0802-15W-XXX-X-XXX (XXX) -G, TS-FL0802-15W-XXX-X-D-XXX (XXX)	4
TS-FL0803-30W-XXX-X-XXX (XXX) -YYY, TS-FL0803-30W-XXX-D-X-XXX	4A
TS-FL0805-50W-XXX-X-XXX (XXX) -YYY, TS-FL0805-50W-XXX-D-X-XXX, TS-FL0805-50W-XXX-X-TC (XXX) TS-FL0805-50W-XXX-X-TCP (XXX) -YYY	4B
TS-FL0807-70W-XXX-X-XXX (XXX) -YYY, TS-FL0807-70W-XXX-D-X-XXX (XX) , TS-FL0809-90W-XXX-X-XXX (XXX) -YYY, TS-FL0809-90W-XXX-D-X-XXX (XX) , TS-FL0810-100W-XXX-X-XXX, TS-FL0810-100W-XXX-X-TC (XXX)	4C
TS-FL0815-150W-XXX-D-X-XXX (XX) TS-FL0815-150W-XXX-D-MV-X-XXX (XXX) TS-FL0815-150W/130W/100W-XXX-X-TP-XXX (XXX) , TS-FL0815-150W-XXX-X-TC (XXX) , TS-FL0815-150W-XXX-X-TCP (XXX) -YYY, TS-FL0815-150W-XXX-X-XXX (XXX) -YYY, TS- FL0815-100W-XXX-X-TCP (XXX) -YYY	4D
TS-FL0908-80W-XXX-X-TCP (XXX) -YYY	4E
TS-FL0912-120W-XXX-X-TCP (XXX) -YYY	4F
<b>TS-FL1009-90W-XXX-X-TCP (XXX) -YYY</b>	<b>4G</b>

3. Driver Housing Cover - **Die-Cast** aluminum, min **1.2** mm thick. Secured to Enclosure by Screws. See below table for applicable models and illustrations in detailed dimensions.

Model	ILL. No. for Driver housing cover
TS-FL0802-15W-XXX-X-XXX (XXX) -YYY, TS-FL0802-15W-XXX-X-XXX (XXX) -G, TS-FL0802-15W-XXX-X-D-XXX (XXX)	5
TS-FL0803-30W-XXX-X-XXX (XXX) -YYY, TS-FL0803-30W-XXX-D-X-XXX	5A
TS-FL0805-50W-XXX-X-XXX (XXX) -YYY, TS-FL0805-50W-XXX-D-X-XXX, TS-FL0805-50W-XXX-X-TC (XXX) TS-FL0805-50W-XXX-X-TCP (XXX) -YYY	5B
TS-FL0807-70W-XXX-X-XXX (XXX) -YYY, TS-FL0807-70W-XXX-D-X-XXX (XX) , TS-FL0809-90W-XXX-X-XXX (XXX) -YYY, TS-FL0809-90W-XXX-D-X-XXX (XX) , TS-FL0810-100W-XXX-X-XXX, TS-FL0810-100W-XXX-X-TC (XXX)	5C
TS-FL0815-150W-XXX-D-X-XXX (XX) , TS-FL0815-150W-XXX-D-MV-X-XXX (XXX) , TS-FL0815-150W-XXX-X-TC (XXX)	5D
TS-FL0815-150W/130W/100W-XXX-X-TP-XXX (XXX) , TS-FL0815-150W-XXX-X-TCP (XXX) -YYY, TS- FL0815-100W-XXX-X-TCP (XXX) -YYY	5E
TS-FL0815-150W-XXX-X-XXX (XXX) -YYY	5F
<b>TS-FL1009-90W-XXX-X-TCP (XXX) -YYY</b>	<b>5G</b>

4. Diffuser - R/C (QMFZ2), XIAMEN TIANYU PLASTIC INDUSTRY CO LTD (E309739), type PC-DK(f1), rated min. 5VA, min. 125°C. Measured min. 2.5 mm thick, See below table for applicant models and illustrations in detailed dimensions.

Model	ILL. No. for Diffuser
TS-FL0802-15W-XXX-X-XXX (XXX) -YYY, TS-FL0802-15W-XXX-X-XXX (XXX) -G, TS-FL0802-15W-XXX-X-D-XXX (XXX)	6
TS-FL0803-30W-XXX-X-XXX (XXX) -YYY, TS-FL0803-30W-XXX-D-X-XXX	6A
TS-FL0805-50W-XXX-X-XXX (XXX) -YYY, TS-FL0805-50W-XXX-D-X-XXX, TS-FL0805-50W-XXX-X-TC (XXX) TS-FL0805-50W-XXX-X-TCP (XXX) -YYY	6B
TS-FL0807-70W-XXX-X-XXX (XXX) -YYY, TS-FL0807-70W-XXX-D-X-XXX (XX) , TS-FL0809-90W-XXX-X-XXX (XXX) -YYY, TS-FL0809-90W-XXX-D-X-XXX (XX) , TS-FL0810-100W-XXX-X-XXX, TS-FL0810-100W-XXX-X-TC (XXX)	6C
TS-FL0815-150W-XXX-D-X-XXX (XX) , TS-FL0815-150W-XXX-D-MV-X-XXX (XXX) , TS-FL0815-150W/130W/100W-XXX-X-TP-XXX (XXX) , TS-FL0815-150W-XXX-X-TC (XXX) , TS-FL0815-150W-XXX-X-TCP (XXX) -YYY, TS-FL0815-150W-XXX-X-XXX (XXX) -YYY, TS-FL0815- 100W-XXX-X-TCP (XXX) -YYY	6D
<b>TS-FL1009-90W-XXX-X-TCP (XXX) -YYY</b>	<b>6G</b>

Diffuser - For models TS-FL0908-80W-XXX-X-TCP (XXX) -YYY, TS-FL0912-120W-XXX-X-TCP (XXX) -YYY. Consists of the following items:

- a. Glass Diffuser - 4 mm thick. Secured to slot at Enclosure with two Securement Clamps. Gaps between Diffuser and Enclosure is additionally sealed silicone rubber sealant. with See table below for dimension details (unit in mm).

Model	ILL. No. for Diffuser
TS-FL0908-80W-XXX-X-TCP (XXX) -YYY	6E
TS-FL0912-120W-XXX-X-TCP (XXX) -YYY	6F

- b. Securement Clamps - Two provided. Plated or bake painted steel. Secured to Enclosure by screw and nuts. See ILL. 41 for dimension details (unit in mm).

- 5 Gasket 1 - Silicon rubber, **min.** 2.0 mm thick. Located in groove between Driver Housing Cover and Enclosure. See below table for applicable models and illustrations in detailed dimensions.

Model	ILL. No. for Gasket 1
TS-FL0802-15W-XXX-X-XXX (XXX) -YYY, TS-FL0802-15W-XXX-X-XXX (XXX) -G, TS-FL0802-15W-XXX-X-D-XXX (XXX)	7
TS-FL0803-30W-XXX-X-XXX (XXX) -YYY, TS-FL0803-30W-XXX-D-X-XXX	7A
TS-FL0805-50W-XXX-X-XXX (XXX) -YYY, TS-FL0805-50W-XXX-D-X-XXX, TS-FL0805-50W-XXX-X-TC (XXX) TS-FL0805-50W-XXX-X-TCP (XXX) -YYY	7B
TS-FL0807-70W-XXX-X-XXX (XXX) -YYY, TS-FL0807-70W-XXX-D-X-XXX (XX) , TS-FL0809-90W-XXX-X-XXX (XXX) -YYY, TS-FL0809-90W-XXX-D-X-XXX (XX) , TS-FL0810-100W-XXX-X-XXX, TS-FL0810-100W-XXX-X-TC (XXX)	7C
TS-FL0815-150W-XXX-D-X-XXX (XX) , TS-FL0815-150W-XXX-D-MV-X-XXX (XXX) , TS-FL0815-150W/130W/100W-XXX-X-TP-XXX (XXX) , TS-FL0815-150W-XXX-X-TC (XXX) , TS-FL0815-150W-XXX-X-TCP (XXX) -YYY, TS-FL0815-150W-XXX-X-XXX (XXX) -YYY, TS-FL0815- 100W-XXX-X-TCP (XXX) -YYY	7D
<b>TS-FL1009-90W-XXX-X-TCP (XXX) -YYY</b>	<b>7E</b>

6. Gasket 2 - Silicon rubber, **min.** 2.0 mm thick. Located in groove between Enclosure and Diffuser. See below table for applicant models and illustrations in detailed dimensions.

Model	ILL. No. for Gasket 2
TS-FL0802-15W-XXX-X-XXX (XXX) -YYY, TS-FL0802-15W-XXX-X-XXX (XXX) -G, TS-FL0802-15W-XXX-X-D-XXX (XXX)	8
TS-FL0803-30W-XXX-X-XXX (XXX) -YYY, TS-FL0803-30W-XXX-D-X-XXX	8A
TS-FL0805-50W-XXX-X-XXX (XXX) -YYY, TS-FL0805-50W-XXX-D-X-XXX, TS-FL0805-50W-XXX-X-TC (XXX) TS-FL0805-50W-XXX-X-TCP (XXX) -YYY	8B
TS-FL0807-70W-XXX-X-XXX (XXX) -YYY, TS-FL0807-70W-XXX-D-X-XXX (XX) , TS-FL0809-90W-XXX-X-XXX (XXX) -YYY, TS-FL0809-90W-XXX-D-X-XXX (XX) , TS-FL0810-100W-XXX-X-XXX, TS-FL0810-100W-XXX-X-TC (XXX)	8C
TS-FL0815-150W-XXX-D-X-XXX (XX) , TS-FL0815-150W-XXX-D-MV-X-XXX (XXX) , TS-FL0815-150W/130W/100W-XXX-X-TP-XXX (XXX) , TS-FL0815-150W-XXX-X-TC (XXX) , TS-FL0815-150W-XXX-X-TCP (XXX) -YYY, TS-FL0815-150W-XXX-X-XXX (XXX) -YYY, TS-FL0815- 100W-XXX-X-TCP (XXX) -YYY	8D
<b>TS-FL1009-90W-XXX-X-TCP (XXX) -YYY</b>	<b>8E</b>

7. Bushing - Steel. See ILL. 9 for dimensional details. Provided with a silicone rubber gasket inside Bushing. Secured to Enclosure by self-threads and nuts.
8. Driver Bracket -Steel, min. 1.0 mm thick. Secured to Enclosure by screws. See below table for applicable models and illustrations in detailed dimension.

Model	ILL. No. for Driver Bracket
TS-FL0807-70W-XXX-X-XXX (XXX) -YYY, TS-FL0807-70W-XXX-D-X-XXX (XX) , TS-FL0809-90W-XXX-X-XXX (XXX) -YYY, TS-FL0809-90W-XXX-D-X-XXX (XX) , TS-FL0810-100W-XXX-X-XXX, TS-FL0810-100W-XXX-X-TC (XXX)	10
TS-FL0815-150W-XXX-D-X-XXX (XX) TS-FL0815-150W-XXX-D-MV-X-XXX (XXX) TS-FL0815-150W/130W/100W-XXX-X-TP-XXX (XXX) , TS-FL0815-150W-XXX-X-TC (XXX) , TS-FL0815-150W-XXX-X-TCP (XXX) -YYY, TS-FL0815-150W-XXX-X-XXX (XXX) -YYY, TS-FL0815-100W-XXX-X-TCP (XXX) -YYY	10A
<b>TS-FL1009-90W-XXX-X-TCP (XXX) -YYY</b>	<b>10B</b>

9. LED Driver - Unlisted (FKSZ3/9), TORSHARE LTD (E468007), report issued date 2019-03-22. See below table for Luminaire Models corresponding LED Driver Models and Electrical Rating. Secured to Enclosure by screws. Integrally provided with input leads, rated min. 300V, 105°C, min. 18AWG; and output cord, rated min. 300V, 105°C, min. 18 AWG.

Luminaire Model	LED Driver Model	Electrical Rating
TS-FL0802-15W-XXX-X-XXX (XXX)	FS-TS030B0150C	Rated Input: 100-277 Vac, 50/60 Hz, 0.165 A; Output: 75-90 Vdc, 0.15 A, Non-Isolated.
TS-FL0803-30W-XXX-X-XXX	FS-TS028B0310C	Rated Input: 100-277 Vac, 50/60 Hz, 0.33 A; Output: 80-91 Vdc, 0.31 A, Non-Isolated.
TS-FL0805-50W-XXX-X-XXX	FS-TS029B0430C	Rated Input: 100-277 Vac, 50/60 Hz, 0.55 A; Output: 100-107 Vdc, 0.43 A, Non-Isolated.
TS-FL0807-70W-XXX-X-XXX	FS-TMF012B0535C	Rated Input: 100-277 Vac, 50/60 Hz, 1.1 A; Output: 100-119 Vdc, 0.534 A, Non-Isolated.
TS-FL0809-90W-XXX-X-XXX	FS-TMF012B0685C	Rated Input: 100-277 Vac, 50/60 Hz, 1.1 A; Output: 100-119 Vdc, 0.684 A, Non-Isolated.
TS-FL0810-100W-XXX-X-XXX	FS-TMF012B0770C	Rated Input: 100-277 Vac, 50/60 Hz, 1.1 A; Output: 100-119 Vdc, 0.76 A, Non-Isolated.

LED Driver - Unlisted (FKSZ3/9), Torshare LTD (E468007). See below table for luminaire models corresponding to LED Driver models and electrical ratings. Integrally provided with input leads, rated min. 300V, 105°C, min. 18AWG; and output leads, rated min. 300V, 105°C, min. 22 AWG, welded to LED module and covered by epoxy or silicone; and dimming leads, rated min. 300V, 105°C, min. 22 AWG. For Models TS-FL0803-30W-XXX-D-X-XXK and TS-FL0805-50W-XXX-D-X-XXK, the LED Driver secured to Enclosure by screws; for Models TS-FL0807-70W-XXX-D-X-XXK and TS-FL0809-90W-XXX-D-X-XXK, the LED Driver secured to Driver Housing Cover by Driver Bracket.

Luminaire Model	LED Driver Model	Electrical Rating
TS-FL0803-30W-XXX-D-X-XXK	FS-TS034B0300TW	Rated Input: 100-277 Vac, 50/60 Hz, 0.34 A, 30 W; Output: 80-95 Vdc, 0.3 A, Non-Isolated.
TS-FL0805-50W-XXX-D-X-XXK	FS-TS035B0430TW	Rated Input: 100-277 Vac, 50/60 Hz, 0.56 A, 50 W; Output: 100-115 Vdc, 0.43 A, Non-Isolated.
TS-FL0807-70W-XXX-D-X-XXK	FS-TMF013B0535TW	Rated Input: 100-277 Vac, 50/60 Hz, 0.81 A, 75 W; Output: 80-140 Vdc, 0.535 A, Non-Isolated.
TS-FL0809-90W-XXX-D-X-XXK	FS-TMF013B0685TW	Rated Input: 100-277 Vac, 50/60 Hz, 1.05 A, 95 W; Output: 80-140 Vdc, 0.685 A, Non-Isolated.

**Alternate LED Driver - For Model TS-FL0807-70W-XXX-X-XXK(XXX)-YYY and TS-FL0809-90W-XXX-X-XXK(XXX)-YYY only. R/C (FKSZ2/8), Shenzhen FOSEN Technology Co Ltd (E486721), integrally provided with input leads, rated min. 300V, 105°C, min. 18AWG; and output leads, rated min. 300V, 105°C, min. 22 AWG, welded to LED module and covered by epoxy or silicone; and dimming leads, rated min. 300V, 105°C, min. 24 AWG. LED Driver secured to Driver Housing Cover by Driver Bracket.**

Luminaire Model	LED Driver Model	Electrical Rating
TS-FL0807-70W-XXX-X-XXK(XXX)-YYY (with LED Module ILL. 31)	FS-TMF013B0535TW	Damp location. Rated Input: 100-277 Vac, 50/60 Hz, 0.9 A, 82 W; Output: 80-140 Vdc, 0.535 A, 75W, Non-Isolated.
TS-FL0809-90W-XXX-X-XXK(XXX)-YYY (with LED Module ILL. 32)	FS-TMF013B0685TW	Damp location. Rated Input: 100-277 Vac, 50/60 Hz, 1.1 A, 104 W; Output: 80-140 Vdc, 0.685 A, 96W, Non-Isolated.

LED Driver - Listed (FKSZ/7), SHENZHEN SOSEN ELECTRONICS CO LTD (E360758), see below table for Luminaire Models corresponding LED Driver Models and Electrical Ratings. Secured to Enclosure by screws. Integrally provided with input cord, rated min. 300V, min. 105°C, min. 18AWG; output cord, rated min. 300V, min. 105°C, min. 18 AWG and dimming wires, rated min. 300V, min. 105°C, min. 22 AWG.

Luminaire Model	LED Driver Model	Electrical Rating
TS-FL0807-70W-XXX-D-X-XXK(XX)	SS-75VA-56B	Input: 100-240/277 Vac, 50/60 Hz, 1/0.35 A, 88 W; Output: 22-56 Vdc, Iout = 1.3 A, 75 W, Class 2.
TS-FL0809-90W-XXX-D-X-XXK(XX)	SS-100VA-56B	Input: 100-240/277 Vac, 50/60 Hz, 1.2/0.5 A, 115 W; Output: 22-56 Vdc, Iout = 1.7 A, 96 W, Class 2.
TS-FL0815-150W-XXX-D-X-XXK(XX)	SS-150VA-56B	Input: 100-240/277 Vac, 50/60 Hz, 1.8/0.7 A, 170 W; Output: 22-56 Vdc, 2.1-4.2 A, Iout = 2.8 A, 150 W, Isolated.

\*LED Driver - Unlisted (FKSZ3/9), Torshare LTD (E468007). See below table for luminaire models corresponding to LED Driver models and electrical ratings. Secured to Enclosure by screws. Integrally provided with input leads, rated min. 300V, 105°C, min. 18AWG; and output leads, rated min. 300V, 105°C, min. 18 AWG, welded to LED module and covered by epoxy or silicone; and dimming leads for models TS-FL0803-30W-XXX-D-X-XXXK and TS-FL0805-50W-XXX-D-X-XXX only, rated min. 300V, 105°C, min. 22 AWG.

Luminaire Model	LED Driver Model	Electrical Rating
TS-FL0802-15W-XXX-X-XXX (XXX) -G	FS-TS040B0150W	Rated Input: 100-277 Vac, 50/60 Hz, 0.15 A, 15 W; Output: 75-90 Vdc, 0.15 A, Non-Isolated. Tc = 85°C
TS-FL0803-30W-XXX-D-X-XXX	FS-TS041B0300TW	Rated Input: 100-277 Vac, 50/60 Hz, 0.33 A, 33 W; Output: 75-95 Vdc, 0.3 A, Non-Isolated. Tc = 90°C
TS-FL0805-50W-XXX-D-X-XXX	FS-TS042B0430TW	Rated Input: 100-277 Vac, 50/60 Hz, 0.50 A, 50 W; Output: 95-115 Vdc, 0.43 A, Non-Isolated. Tc = 90°C
TS-FL0805-50W-XXX-X-TC (XXX)		

LED Driver - Listed (FKSZ/7), Shenzhen Fahold Electronics Co Ltd (E479229), Class P, see below table for Luminaire Models corresponding LED Driver Models and Electrical Ratings. Secured to Driver Housing Cover by Driver Bracket. Integrally provided with input cord, Listed (ZJCZ/7), Type STW, SJTW or SJOW, min. 18 AWG, min. 600 V, min. 105°C; output cord, Listed (ZJCZ/7), Type STW, SJTW or SJOW, min. 18 AWG, min. 300 V, min. 105°C; Dimming Wire, min. 22 AWG, rated min 300 V, min 105°C.

Luminaire Model	LED Driver Model	Electrical Rating
TS-FL0815-150W-XXX-D-MV-X-XXX (XXX)	FD-150T-054B	Input: 100-347 Vac, 50/60 Hz, 1.8 A, 170 W; Output: 27-54 Vdc, Iout = 2.9 A, 2-4.2A, 150 W, Isolated. Class 2 AUX output: 12V, 200mA, 2.4W

Alternate - Unlisted (FKSZ3/9), TORSHARE LTD (E468007). See below table for luminaire models corresponding to LED Driver models and electrical ratings. Secured to Enclosure by screws. Integrally provided with input leads, rated min. 300V, 105°C, min. 18AWG; output leads, rated min. 300V, 105°C, min. 20 AWG, welded to LED module and covered by epoxy or silicone; and dimming leads, rated min. 300V, 105°C, min. 24 AWG.

Luminaire Model	LED Driver Model	Electrical Rating
TS-FL0802-15W-XXX-X-D-XXX (XXX)	FS-TS048B0150TW	Rated Input: 100-277 Vac, 50/60 Hz, 0.15 A, 15 W; Output: 75-90 Vdc, 0.15 A, Non-Isolated. Tc = 85°C

Alternate LED Driver - Same as above, except, suitable for wet location, see below table for model list and ratings.

Luminaire Model Series	Driver Model	Ratings
TS-FL0803-30W-XXX-X-XXX  use with LED Module Ill. 13	SS-35VA-L50B	Input: 120-277 VAC, 50/60 Hz, 0.37A, 45 W; Output 1: CC, 28-50 VDC, 0.55-0.92 A, Iout = 0.56 A, 35 W, Class 2
TS-FL0805-50W-XXX-X-XXX  use with LED Module Ill. 13A	SS-50VA-L50B	Input: 120-277 VAC, 50/60 Hz, 0.55A, 66 W; Output 1: CC, 28-50 VDC, 0.8-1.32 A, Iout = 1.3 A, 55 W, Class 2

LED Driver - R/C FKSZ2/8, see table below for model and rating details. Integrally provided with input/Output/Dimming leads, rated min. 300V, 105°C, min. 18AWG, suitable for wet location. Secured to inside of Driver Housing Cover by Driver Bracket. Output leads connected to LED Module PWB by soldering and potted the soldering points with silicone glue completely.

Luminaire Model	Driver Manufacturer and Model	Ratings
TS-FL0815-150W/130W/100W-XXX-X-TP-XXX(XXX)	Shenzhen Sosen Electronics Co Ltd (E360758), Model SS-150NL-260B	Input: AC100-240/277V, 1.8/0.7A, 50/60Hz, 180W Output: 180-260Vdc, 0.52-0.75A, 150W Iout: 0.57 A

Alternate - Same as above, except R/C (FKSZ2/8), Shenzhen FOSEN Technology Co Ltd (E486721). provided with input and output leads, AVL2/8, min. 18 AWG, rated min. 105 °C, min. 300 V. And provided with Class 2 dimming lead, AVL2/8, min. 20 AWG, rated min. 105 °C, min. 300 V.

Luminaire Model	LED Driver Model	Electrical Rating
TS-FL0810-100W-XXX-X-TC(XXX)	FS-TMF019B0800TC	Input: 100-277Vac, 50/60Hz, 1.7A, 170W. Output: 100-135Vdc, 0.80A, max. 162W
TS-FL0815-100W-XXX-X-TCP(XXX)-YYY		
TS-FL0815-150W-XXX-X-TC(XXX), <b>TS-FL0815-150W-XXX-X-TCP(PTC)-YYY</b>	FS-TMF019B1050TC	Input: 100-277Vac, 50/60Hz, 1.7A, 170W. Output: 100-135Vdc, 1.050A, max. 162W

Alternate LED Driver - Same as above, except, suitable for wet location, see below table for model list and ratings.

Model	LED Driver (Fig. 20 to 22)	LED Module
TS-FL0802-15W- XXX-X-XXK(XXX)- YYY	<p>Alternate LED Driver -</p> <p>Unlisted (FKSZ3/9), TORSHARE LTD (E468007), Cat. No. FS-TS058B0150TW,</p> <p>Input 120-277V, 50/60Hz, 0.15 A, 15W;</p> <p>Output 70-90V, 150mA, 13.5W. Non-insolated.</p> <p>Dimmer output: Class 2. Evaluated per SF3.1.</p> <p>Dry location. Tc=90 °C</p> <p>Secured to Enclosure by screws.</p> <p>Input lead - R/C AVLV2/8, rated 600V, 105°C, 18AWG, min. 152mm long.</p> <p>Output lead - R/C AVLV2/8, rated 300V, 105°C, 20AWG, min. 152mm long.</p> <p>Dimming lead - R/C AVLV2/8, rated 300V, 105°C, 22AWG, min. 152mm long.</p> <p>Potting - R/C QMFZ2, Model KD-8308ZW, (SHENZHEN SHENGKANGTAI SILICONE MATERIAL CO LTD (E341043). RTV, rated 150 °C. Totally covered the driver. Potting does not touch the transformer winding of driver.</p> <p>Insulation Sheet - R/C QMFZ2, PET, 0.18mm thick. Enclosed the Driver. See ILL.34. PET Insulation Sheet exceed min. 3.9mm at the two ends of driver. See details in Fig. 20 to 22.</p>	ILL.27

Alternate LED Driver - Same as above, except, suitable for wet location, see below table for model list and ratings.

Model	LED Driver	LED Module
TS-FL0803-30W-XXX-X-XXK(XXX)-YYY	<p>Alternate LED Driver -</p> <p>Unlisted (FKSZ3/9), TORSHARE LTD (E468007), Cat. No. FS-TMF031B0300TW,</p> <p>Input 120-277V, 50/60Hz, 0.3 A, 30W;</p> <p>Output 75-95V, 300mA, 28.5W. Non-insolated.</p> <p>Dimmer output: Class 2. Evaluated per SF3.1.</p> <p>Dry location. Tc=90 °C</p> <p>Secured to Enclosure by screws.</p> <p>Input lead - R/C AVLV2/8, rated 600V, 105°C, 18AWG, min. 152mm long.</p> <p>Output lead - R/C AVLV2/8, rated 300V, 105°C, 20AWG, min. 152mm long.</p> <p>Dimming lead - R/C AVLV2/8, rated 300V, 105°C, 22AWG, min. 152mm long.</p>	ILL.28

Alternate LED Driver - Same as above, except, suitable for wet location, see below table for model list and ratings.

Model	LED Driver	LED Module
TS-FL0805-50W-XXX-X-XXK(XXX)-YYY	Alternate LED Driver -  Unlisted (FKSZ3/9), TORSHARE LTD (E468007), Cat. No. FS-TMF027B0430TW,  Input 120-277V, 50/60Hz, 0.5 A, 50W;  Output 95-115V, 430mA, 49.5W. Non-insolated.  Dimmer output: Class 2. Evaluated per SF3.1.  Dry location. Tc=90 °C	ILL.29
TS-FL0805-50W-XXX-X-TCP(XXX)-YYY	Secured to Enclosure by screws.  Input lead - R/C AVLV2/8, rated 600V, 105°C, 18AWG, min. 152mm long.  Output lead - R/C AVLV2/8, rated 300V, 105°C, 20AWG, min. 152mm long.  Dimming lead - R/C AVLV2/8, rated 300V, 105°C, 22AWG, min. 152mm long.	ILL.30

Alternate LED Driver - Same as above, except, suitable for wet location, see below table for model list and ratings.

Model	LED Driver	LED Module
TS-FL0807-70W- XXX-X-XXK(XXX)- YYY	<p>Alternate LED Driver -</p> <p>Unlisted (FKSZ3/9) Torshare LTD, (E468007), Cat. No. FS-TMF013B0535TW.</p> <p>Input 100-277V, 50/60Hz, 0.81 A, 75W;</p> <p>Output 80-140V, 535mA. Non-insolated.</p> <p>Dimming output: Isolated, Class2.</p> <p>Dry and Damp location. Tc=85 °C</p> <p>Secured to Enclosure by screws.</p> <p>Input lead - R/C AVLV2/8, rated 300V, 105°C, 18AWG, min. 152mm long.</p> <p>Output/Dimming leads - R/C AVLV2/8, rated 300V, 105°C, 20AWG, min. 152mm long.</p>	ILL.31

Alternate LED Driver - Same as above, except, suitable for wet location, see below table for model list and ratings.

Model	LED Driver	LED Module
TS-FL0809-90W- XXX-X-XXK(XXX)- YYY	<p>Alternate LED Driver -</p> <p>Unlisted (FKSZ3/9) Torshare LTD (E468007), Cat. No. FS-TMF013B0685TW.</p> <p>Input 100-277V, 50/60Hz, 1.05 A, 95W;</p> <p>Output 80-140V, 685mA. Non-insolated.</p> <p>Dimming output2.</p> <p>Dry and Damp location. Tc=85 °C</p> <p>Secured to Enclosure by screws.</p> <p>Input leads - R/C AVLV2/8, rated 300V, 105°C, 18AWG, min. 152mm long.</p> <p>Output/Dimming leads - R/C AVLV2/8, rated 300V, 105°C, 20AWG, min. 152mm long.</p>	ILL.32

Alternate LED Driver - Same as above, except, suitable for wet location, see below table for model list and ratings.

Model	LED Driver	LED Module
*TS-FL0815-150W- XXX-X-XXX(XXX)- YYY	<p>Alternate LED Driver -</p> <p>R/C (FKSZ2/8) Shenzhen FOSEN Technology Co Ltd (E486721), Vol.2, sec. 5, Cat. No. FS-TMF019B1050TC,</p> <p>Input 100-277V, 50/60Hz, 1.7 A, 170W;</p> <p>Output 100-135V, 1050mA, max.162W. Non-insolated.</p> <p>Wire control circuit output: Isolated, Class 2.</p> <p>Dry and damp location. Tc=90 °C</p> <p>Secured to Enclosure by screws.</p> <p>Input leads - R/C AVL2/8, rated 600V, 105°C, 18AWG, min. 152mm long.</p> <p>Output leads - R/C AVL2/8, rated 300V, 105°C, min. 22AWG, min. 152mm long.</p> <p>Dimmer leads - R/C AVL2/8, rated 300V, 105°C, min. 24AWG, min. 152mm long.</p>	ILL.33

**LED Driver - Secured to Driver Housing Cover by Driver Bracket. Provided with input leads, R/C AVL2/8, min rated 300 V, 105 °C, 18 AWG, extend min 150 mm into mounting surface. Provided with LED output leads, R/C AVL2/8, min rated 300 V, 105 °C, 18 AWG. Provided with Dimmer/ Aux output leads, R/C AVL2/8, min rated 300 V, 105 °C, 24 AWG, extend min 150 mm into mounting surface. See table below for details.**

Model	LED Driver	LED Module
TS-FL0815-150W- XXX-X-TCP(XXX)- YYY	<p>Listed FKSZ/7, SHENZHEN MOSO ELECTRONICS TECHNOLOGY CO LTD (E332689), model N7L-160M260A12, Class P.</p> <p>Input rated 100-277 V, 50/60 Hz, 2 A, 200 W.</p> <p>LED output rated 180-260 Vdc, 0.074-0.74 A, set for 0.65 A max, 160 W, non-isolated.</p> <p>Aux output rated 12 Vdc, 0.2 A, CV, Class 2.</p>	ILL. 18B

LED Driver - Secured to Enclosure by screws. Provided with input and output terminal block, connected with lead wires R/C AVL2/8, 18 AWG, min rated 300 V, 105 °C, solid copper conductors, the input leads shall extend min 150 mm into mounting surface. See table below for details.

Model	LED Driver	LED Module
TS-FL0908-80W-XXX-X-TCP(XXX)-YYY	R/C FKSZ2/8, LIFUD TECHNOLOGY CO LTD (E338140), model LF-FAA080. Input rated 100-277V, 50/60 Hz, 1 A, 90 W. LED output rated 180-260 Vdc, 0.25-0.4 A, set for 0.32 A max, 80 W. Aux output rated 12 Vdc, 0.2 A, CV, Class 2.	ILL. 37A

LED Driver - Secured to Enclosure by screws. Provided with input leads, R/C AVL2/8, min rated 300 V, 105 °C, 18 AWG, extend min 150 mm into mounting surface. Provided with LED output leads, R/C AVL2/8, min rated 300 V, 105 °C, 18 AWG. Provided with Dimmer/ Aux output leads, R/C AVL2/8, min rated 300 V, 105 °C, 24 AWG, extend min 150 mm into mounting surface. See table below for details.

Model	LED Driver	LED Module
TS-FL0912-120W-XXX-X-TCP(XXX)-YYY	Listed FKSZ/7, SHENZHEN MOSO ELECTRONICS TECHNOLOGY CO LTD (E332689), model N7L-120M260A12, Class P. Input rated 100-277 V, 50/60 Hz, 1.5 A, 150 W. LED output rated 180-260 Vdc, 0.056-0.56 A, set for 0.51 A max, 160 W, non-isolated. Aux output rated 12 Vdc, 0.2 A, CV, Class 2.	ILL. 37B
TS-FL1009-90W-XXX-X-TCP(XXX)-YYY	Listed FKSZ/7, SHENZHEN MOSO ELECTRONICS TECHNOLOGY CO LTD (E332689), model N7L-080M260A12, Class P. Input rated 100-277 V, 50/60 Hz, 1.0 A, 100 W. LED output rated 180-260 Vdc, 0.037-0.37 A, set for 0.35 A max, 80 W, non-isolated. Aux output rated 12 Vdc, 0.2 A, CV, Class 2.	ILL. 37C

10. LED Module - Consisted of Printed Wiring Board, LEDs, secured to Enclosure by screws. See below items for the details.

Printed Wiring Board - R/C (ZPMV2/8), metal base, rated min V-1, min 130°C, suitable for direct support of live parts, measured min. 1.0 mm thick. Lead connections were further secured with epoxy. See below table for detail.

Alternate - For model TS-FL0815-100W-XXX-X-TCP(XXX)-YYY only. Same as above except measured min. 1.5 mm thick.

LEDs - See below for detail. Each rated max 5.8-6.6Vdc, 120mA.

Model	ILL. No. for PWB trace layout	No. of LED	Overall dimension, mm
TS-FL0802-15W-XXX-X-XXX (XXX)	11	15 (15S1P)	99x41
TS-FL0802-15W-XXX-X-XXX (XXX) -G			
TS-FL0802-15W-XXX-X-D-XXX (XXX)			
TS-FL0803-30W-XXX-X-XXX	12	30 (15S2P)	125.9x49.2
TS-FL0805-50W-XXX-X-XXX	13	54 (18S3P)	172.8x75.5
TS-FL0805-50W-XXX-X-XXX with LED Driver SS-50VA-L50B	13A	54 (6S9P)	172.8x75.5
TS-FL0807-70W-XXX-X-XXX	14	80 (20S4P)	265.3x125.3
TS-FL0809-90W-XXX-X-XXX	15	120 (20S6P)	265.3x125.3
TS-FL0810-100W-XXX-X-XXX	15	120 (20S6P)	265.3x125.3
<b>TS-FL0807-70W-XXX-D-X-XXX (XXX)</b>	16	88 (8S11P)	265.3x125.3
<b>TS-FL0809-90W-XXX-D-X-XXX (XXX)</b>	17	120 (8S15P)	265.3x125.3
<b>TS-FL0815-150W-XXX-D-X-XXX (XXX)</b> , TS-FL0815-150W-XXX-D-MV-X-XXX (XXX)	18	168 (8S21P)	320x140

Alternate - Same as above, except LEDs rated 6.0Vdc, 150mA.

Model	PWB trace layout	No. of LED	Overall size, mm
TS-FL0815-150W/130W/100W-XXX-X-TP-XXX (XXX)	ILL. 20	168 (42S4P)	320 x 140

Alternate - Same as above, except LEDs rated 3V, 150 mA

Model	ILL. No. for PWB trace layout	No. of LED	Overall dimension, mm
TS-FL0803-30W-XXX-X-XXX with LED Driver SS-35VA-L50B	13	54 (18S3P)	172.8x75.5

Alternate - Same as above. See below table for details. For alternate LED Drivers Models FS-TS034B0300TW, FS-TS035B0430TW, FS-TMF013B0535TW , FS-TMF013B0685TW, FS-TS041B0300TW or FS-TS042B0430TW only.

Model	ILL. No. for PWB trace layout	No. of LED	Overall dimension, mm
TS-FL0803-30W-XXX-D-X-XXX	12	30 (15S2P)	125.9x49.2
TS-FL0805-50W-XXX-D-X-XXX	13	54 (18S3P)	172.8x75.5
TS-FL0807-70W-XXX-D-X-XXX	14	80 (20S4P)	265.3x125.3
TS-FL0809-90W-XXX-D-X-XXX	15	120 (20S6P)	265.3x125.3

Alternate - Same as above except LEDs rated 9V, 100mA. See below table for details. For models TS-FL0805-50W-XXX-X-TC(XXX), TS-FL0810-100W-XXX-X-TC(XXX), TS-FL0815-150W-XXX-X-TC(XXX) only.

Model	ILL. No. for PWB trace layout	No. of LED (Series* Parallel*CCT)	Overall dimension, mm
TS-FL0805-50W-XXX-X-TC(XXX)	13B	192 (12S8P*2)	125.9x49.2
TS-FL0810-100W-XXX-X-TC(XXX)	15A	364 (13S14P*2)	172.8x75.5
TS-FL0815-150W-XXX-X-TC(XXX), TS-FL0815-150W-XXX-X-TCP(XXX)-YYY	18A	600 (15S20P*2)	265.3x125.3

Alternate - Same as above except LED each rated 9 V, 1 W. See table below for details

Model	Driver	ILL. No. for PWB trace layout	No. of LED (Series* Parallel*CCT)	Overall dimension, mm
TS-FL0815-150W-XXX-X-TCP(XXX)-YYY	N7L-160M260A12	18B	25S12P*2	320x140x1.5

Alternate - Same as above except information below. See below table for details.

Model	Driver	No. of LED (Series* Parallel*CCT)	Overall dimension, mm	Rating of each LED	LED Module ILL.
TS-FL0802-15W-XXX-X-XXX(XXX)-YYY	FS-TS058B0150TW	15 (15S 1P * 1)	99 x 41 x 1	6V, 150mA	27
TS-FL0803-30W-XXX-X-XXX(XXX)-YYY	FS-TMF031B0300TW	30 (15S 2P * 1)	125.9 x 49.2 x 1		28
TS-FL0805-50W-XXX-X-XXX(XXX)-YYY	FS-TMF027B0430TW	54 (18S 3P * 1)	172.8 x 75.5 x 1.5		29
TS-FL0805-50W-XXX-X-TCP(XXX)-YYY	FS-TMF027B0430TW	192 (12S 8P * 2)	189 x 89 x 1.5	9V, 100mA	30
TS-FL0807-70W-XXX-X-XXX(XXX)-YYY	FS-TMF013B0535TW	80 (20S 4P * 1)	265.3 x 125.3 x 1.5	6V, 150mA	31
TS-FL0809-90W-XXX-X-XXX(XXX)-YYY	FS-TMF013B0685TW	120 (20S 6P * 1)	265.3 x 125.3 x 1.5		32
TS-FL0815-150W-XXX-X-XXX(XXX)-YYY	FS-TMF019B1050TC	168 (21S 8P * 1)	320 x 140 x 1.5		33

Alternate - Same as above except LEDs rated 9V, 100mA. See below table for details. For model TS-FL0815-100W-XXX-X-TCP(XXX)-YYY only.

Model	ILL. No. for PWB trace layout	No. of LED (Series* Parallel*CCT)	Overall dimension, mm
TS-FL0815-100W-XXX-X-TCP(XXX)-YYY	ILL.36	364 (13S14P*2)	265*125

Alternate - Same as above except LED each rated 9 V, 1 W. See table below for details

Model	ILL. No. for PWB trace layout	No. of LED (Series* Parallel*CCT)	Overall dimension, mm
TS-FL0908-80W-XXX-X-TCP(XXX)-YYY	37A	26S4P*2	166.3x81x1
TS-FL0912-120W-XXX-X-TCP(XXX)-YYY	37B	26S5P*2	198.5x102.6x1
<b>TS-FL1009-90W-XXX-X-TCP(XXX)-YYY</b>	<b>37C</b>	<b>26C4B*2</b>	<b>244x100x1</b>

11. For Models TS-FL0807-70W-XXX-X-XXK(PTC), TS-FL0809-90W-XXX-X-XXK(PTC), TS-FL0810-100W-XXX-X-XXK(PTC), TS-FL0807-70W-XXX-D-X-XXK(PTC), TS-FL0809-90W-XXX-D-X-XXK(PTC), TS-FL0803-30W-XXX-X-XXK(PTC), TS-FL0803-30W-XXX-D-X-XXK(PTC), TS-FL0805-50W-XXX-X-XXK(PTC), TS-FL0805-50W-XXX-D-X-XXK(PTC), TS-FL0815-150W/130W/100W-XXX-X-TP-XXK(PTC), TS-FL0815-150W-XXX-X-TCP(PTC)-YYY and TS-FL0815-150W-XXX-D-MV-X-XXK(PTC), TS-FL0815-100W-XXX-X-TCP(XXX)-YYY only:

\***Photocell** Switch - Listed (WJCT/7), SHANGHAI LONG-JOIN INTELLIGENT TECHNOLOGY INC (E208507), type JL-403C, rated 850 VA, suitable for outdoor use. Secured to Enclosure by screws.

For Model TS-FL0809-150W-XXX-D-X-XXK(PTC) only:

\*Alternate - Listed (WJFX/7), SHANGHAI LONG-JOIN INTELLIGENT TECHNOLOGY INC (E188110), Model JL-205C, rated 120/208-277 Vac, 8/3 A, suitable for outdoor use, plug-in, locking type. Secured to **Photocell** Switch Receptacle by physical fit.

- 11A. For Model TS-FL0809-150W-XXX-D-X-XXK(PTC) and TS-FL0805-50W-XXX-X-TCP(XXX) only:

\***Photo**cell Switch Receptacle - R/C (WJFX2/8), SHANGHAI LONG-JOIN INTELLIGENT TECHNOLOGY INC (E188110), Model JL-200X-14, rated 480 Vac, 15A, suitable for outdoor use, plug-in, locking type. Secured to Driver Housing Cover by screws.

12. Grounding Conductor - In accordance with the Standard requirement, min. 18 AWG wire, secured to Enclosure by a grounding screw.
13. Wire Connectors - Listed (ZMVV/7), rated min. 600 V, min. 105°C, suitable for min. 18 AWG wires.
14. Input Cord - For models with exposed flexible cord except the model TS-FL0815-150W-XXX-D-MV-X-XXK(XXX) only. Listed (ZJCZ/7), Type SJOW, 18 AWG x 3C, rated min 105°C, 300V. Grounding lead secured to Enclosure by a screw.

Alternate - For model TS-FL0815-150W-XXX-D-MV-X-XXK(XXX), same as above except rated 18AWG X 5, min 105°C, 600V.

Alternate - For Model TS-FL0802-15W-XXX-X-D-XXK(XXX), TS-FL0908-80W-XXX-X-TCP(XXX)-YYY, TS-FL0912-120W-XXX-X-TCP(XXX)-YYY, **TS-FL1009-90W-XXX-X-TCP(XXX)-YYY**. Same as above except 18 AWG x 5C, min. 300 V, min. 105°C.

15. Internal Wiring - R/C (AVLV2/8), 18 AWG, rated min. 300 V, min. 105°C for all models except TS-FL0802-15W-XXX-X-XXK(XXX)-YYY, TS-FL0802-15W-XXX-X-D-XXK(XXX), 80°C for TS-FL0802-15W-XXX-X-XXK(XXX)-YYY, TS-FL0802-15W-XXX-X-D-XXK(XXX) only.
17. Switch Control - For models TS-FL0815-150W/130W/100W-XXX-X-TP-XXK(XXX). Secured to Driver Housing Cover by screws. Consisted of the following items.
- a. Printed Wiring Board - R/C ZPMV2/8, rated min V-1, min. 105°C, suitable for direct support of live parts. See ILL. 21 for PWB trace layout and ILL. 22 for schematic diagram.
- b. Resistors - See below Table for details.
- | Notation | Rating          |
|----------|-----------------|
| R1, R2   | 120k ohm, 0.25W |
| R3, R4   | 160k ohm, 0.25W |
- c. Switch - R/C WOYR2/8, DONGGUAN HAOTONG ELECTRONICS CO LTD (E494834), Type H25 Series, (125/250V, 3A, 115°C). Soldered on Printed Wiring Board.

- e. Lead Wires - R/C AVL2/8, rated min. 300V, 105°C, 22 AWG. Two wires are connected from LED Driver dimming, two wires are connected to input dimming wires by Wire Connectors.
- f. Wire Connectors - Listed ZMVV/7, rated min. 300 V, 5A, suitable for conductor AWG size and no. of conductors involved.
18. Closure Plug - For model TS-FL0815-150W/130W/100W-XXX-X-TP-XXK(XXX), TS-FL0810-100W-XXX-X-TC(XXX), TS-FL085-50W-XXX-X-TC(XXX), TS-FL0815-150W-XXX-X-TC(XXX), TS-FL0815-150W-XXX-X-TCP(XXX)-YYY, TS-FL0805-50W-XXX-X-TCP(XXX)-YYY, TS-FL0815-100W-XXX-X-TCP(XXX)-YYY. R/C QMFZ2, XIAMEN TIANYU PLASTIC INDUSTRY CO LTD (E309739), Type PC-DK(f1), min. 2.5 mm thick, rated 5VA, min. 125°C. Overall 22 mm OD by 13.6 mm high. Secured to Driver Housing Cover by self-threads. Provided with a silicone rubber gasket, min. 2.5 mm thick, physically fitted to the slot of Closure Plug.

Closure Plug - For model TS-FL0908-80W-XXX-X-TCP(XXX)-YYY, TS-FL0912-120W-XXX-X-TCP(XXX)-YYY. Two provided, occupying unclosed openings on Housing. R/C QMFZ2, XIAMEN TIANYU PLASTIC INDUSTRY CO LTD (E309739), Type PC-DK(f1), min. 2.5 mm thick, rated 5VA, min. 125°C. Secured to Enclosure by threads. Provided with a silicone rubber gasket, min. 2.5 mm thick, physically fitted to the slot of Closure Plug. See ILL. 39A and ILL. 39B for dimension details (unit in mm).

**Closure Plug - For model TS-FL1009-90W-XXX-X-TCP(XXX)-YYY only. R/C QMFZ2, XIAMEN TIANYU PLASTIC INDUSTRY CO LTD (E309739), Type PC-DK(f1), min. 2.5 mm thick, rated 5VA, min. 125°C. Secured to Driver Housing Cover by threads. Provided with a silicone rubber gasket, min. 3 mm thick, physically fitted to the slot of Closure Plug. See ILL. 53 and 53A for details.**

19. CCT Switch Control - For models TS-FL0810-100W-XXX-X-TC(XXX), TS-FL085-50W-XXX-X-TC(XXX), TS-FL0815-150W-XXX-X-TC(XXX). Secured to Driver Housing Cover by screws. Consisted of the following items.
- a. Printed Wiring Board - R/C ZPMV2/8, rated min V-1, min. 105°C, suitable for direct support of live parts. See ILL. 23 for PWB trace layout and ILL. 24 for schematic diagram.
- b. Resistors - See below Table for details.

Notation	Rating
R1, R2	120k ohm, 0.25W
R3, R4	160k ohm, 0.25W

- c. Switch - R/C WOYR2/8, DONGGUAN HAOTONG ELECTRONICS CO LTD (E494834), Type H25 Series, (125/250V, 3A, 115°C). Soldered on Printed Wiring Board.

20. CCT and Wattage Switch Control - For model TS-FL0815-150W-XXX-X-TCP(XXX)-YYY and TS-FL0805-50W-XXX-X-TCP(XXX)-YYY, TS-FL0815-100W-XXX-X-TCP(XXX)-YYY only. Secured to Driver Housing Cover by screws. Consisted of the following items.

a. Printed Wiring Board - R/C ZPMV2/8, rated min V-1, min. 105°C, suitable for direct support of live parts. See ILL. 25 for PWB trace layout and ILL. 26 for schematic diagram.

b. Resistors - See below Table for details.

Notation	Rating
R1, R2	120k ohm, 0.25W
R3, R4	160k ohm, 0.25W

c. Switch - R/C WOYR2/8, DONGGUAN HAOTONG ELECTRONICS CO LTD (E494834), Type H25 Series, (125/250V, 3A, 115°C). Soldered on Printed Wiring Board.

CCT and Wattage Switch Control - For model TS-FL0908-80W-XXX-X-TCP(XXX)-YYY, TS-FL0912-120W-XXX-X-TCP(XXX)-YYY only. Secured to Driver Housing Cover by screws. See FIG. 30 to 33 for overall view. Consisted of the following items.

\*a. Printed Wiring Board - R/C ZPMV2/8, rated min V-1, min. 105°C, suitable for direct support of live parts. Trace of CCT switch circuit maintain min 3 mm spacing to circuits of dimming switch and circuit of **photocell** switch. See ILL. 43 for PWB trace layout and ILL. 44 for circuit schematic diagram.

b. CCT Switch - R/C WOYR2/8, DONGGUAN HAOTONG ELECTRONICS CO LTD (E494834), Type H25 Series, (125/250V, 3A, 115°C). Soldered on Printed Wiring Board.

\*c. Dimming Switch and **Photocell** Switch - Located at Class 2 AUX output from LED Driver. Shape as shown. Provided with metal case and polymeric switch knob, R/C QMFZ2, min rated 80 °C.

d. Switch PWB Bracket - For models TS-FL0908-80W-XXX-X-TCP(XXX)-YYY, TS-FL0912-120W-XXX-X-TCP(XXX)-YYY only. R/C QMFZ2, PC, min rated 80 °C. Secured to slots of Enclosure by screws. See ILL. 42A, 42B for dimension details (unit in mm).

e. Connector - Shape as shown. R/C QMFZ2, min rated 80 °C.

f. Other Component - See ILL. 45 for details.

21. Breather Valve - For models TS-FL0908-80W-XXX-X-TCP(XXX)-YYY, TS-FL0912-120W-XXX-X-TCP(XXX)-YYY. R/C QMFZ2, XIAMEN TIANYU PLASTIC INDUSTRY CO LTD (E309739), Type PC-DK(f1), min. 2.5 mm thick, rated 5VA, min. 125°C. Secured to Enclosure by threads. Provided with a silicone rubber gasket, min. 1.7 mm thick, physically fitted to the slot of Breather Valve. Two provided. See ILL. 40 for dimension details (unit in mm).
22. Reflector - For models TS-FL0908-80W-XXX-X-TCP(XXX)-YYY, TS-FL0912-120W-XXX-X-TCP(XXX)-YYY only. R/C QMFZ2, min rated 95 °C. Secured to Enclosure by screws. See table below for dimension details (unit in mm).

Model	Dimension Drawing
TS-FL0908-80W-XXX-X-TCP(XXX)-YYY	ILL. 46A
TS-FL0912-120W-XXX-X-TCP(XXX)-YYY	ILL. 46B

- \*23. **Photocell** - Optional, occupying one of the openings on Enclosure for Closure Plug. **When Photocell is not provided, the opening on Enclosure is closed off by the same Photocell Housing.** For models TS-FL0908-80W-XXX-X-TCP(XXX)-YYY, TS-FL0912-120W-XXX-X-TCP(XXX)-YYY, **TS-FL1009-90W-XXX-X-TCP(XXX)-YYY** only. Supplied by Class 2 AUX output from LED Driver. See FIG. 34 to 36 for overall view. Consists of the following items:
- a. **Photocell** Housing - R/C QMFZ2, XIAMEN TIANYU PLASTIC INDUSTRY CO LTD (E309739), Type PC-DK(f1), min. 2.5 mm thick, rated 5VA, min. 125°C. Secured to Enclosure by integral threads. See ILL. 47 for dimension details (unit in mm).
  - b. Gasket - Silicone rubber. See ILL. 49 for dimension details (unit in mm).
  - \*c. PWB - R/C ZPMV2/8, rated min V-1, min. 105°C, suitable for direct support of live parts. Trace of CCT switch circuit maintain min 3 mm spacing to circuits of dimming switch and circuit of **photocell** switch. See ILL. 48 for PWB layout.
  - d. Connector - Shape as shown. R/C QMFZ2, min rated 80 °C.
  - e. Sensor - Rated 12 V, 0.025 A. Secured on PWB.

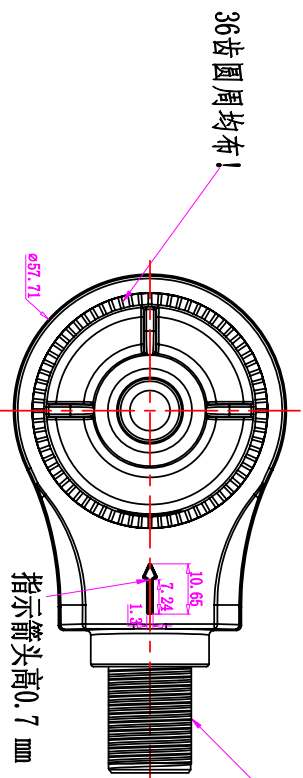
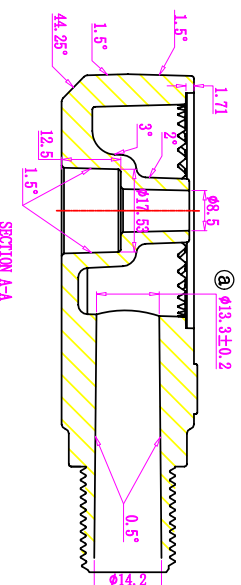
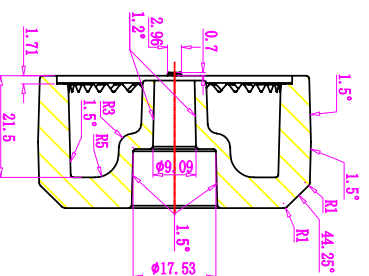
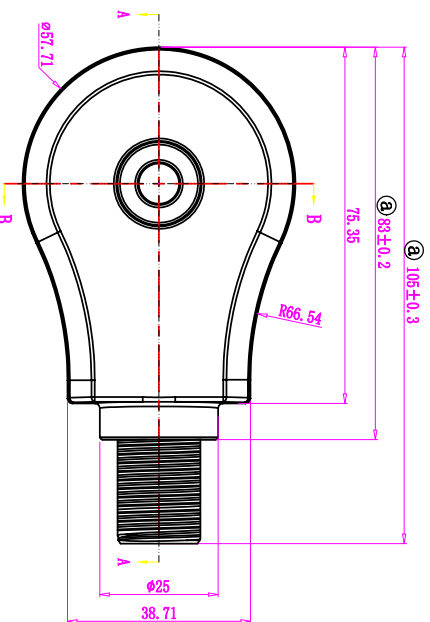
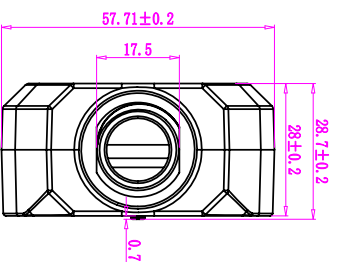
24. CCT and Wattage Switch Control - For model TS-FL1009-90W-XXX-X-TCP(XXX)-YYY only. Secured to Driver Housing Cover by screws. See FIG. 41 to 45 for overall view. Consisted of the following items.
- a. Housings - R/C QMFZ2, PC, min. 1.5 mm thick, rated HB, min. 105°C. Secured to Enclosure by screws. See ILL.50 for details.
  - b. Cover - R/C QMFZ2, PC, rated HB, min. 105°C, min. 1.0 mm thick. See ILL.50A for details.
  - c. Printed Wiring Board - R/C ZPMV2/8, rated min V-1, min. 90°C, suitable for direct support of live parts. Trace of CCT switch circuit maintain min 3 mm spacing to circuits of dimming switch. See ILL. 50B for PWB trace layout
  - d. CCT Switch - R/C WOYR2/8, DONGGUAN HAOTONG ELECTRONICS CO LTD (E494834), Type H25 Series, (125/250V, 3A, 115°C). Soldered on Printed Wiring Board.
  - e. Wattage Switch - Located at class 2 output. R/C QMFZ2/8, rated HB, 105C, 300V. See ILL. 51 for details.
  - f. Other Component - See ILL. 52 for details.

Figure-1 Page-1

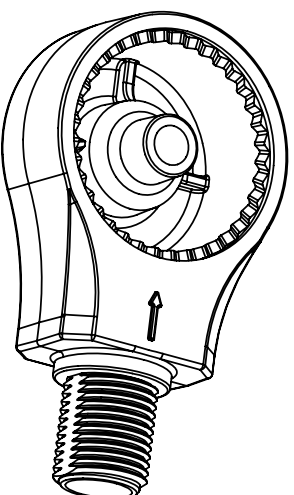
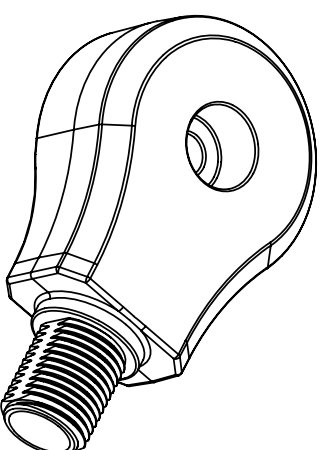


The following Page(s) are related to Figure-1D. The next supplement, if applicable, will be identified with a new Supplement Page Heading.





美规 NPT1/2 螺牙，牙型角60°



技术要求:

1. 符合ROHS 2.0:2011/65/EU要求;
2. 表面光滑平整, 无刮伤、披锋、油污等不良现象;
3. 材质: ADC12, 重约156克;
4. 喷户外粉, 颜色见BOM, 不可露底, 满足百格测试;
5. 螺丝孔内不可喷粉, 确保所有螺丝孔通畅;
6. 未标注尺寸到3D取数, 未注公差按图框内默认公差;

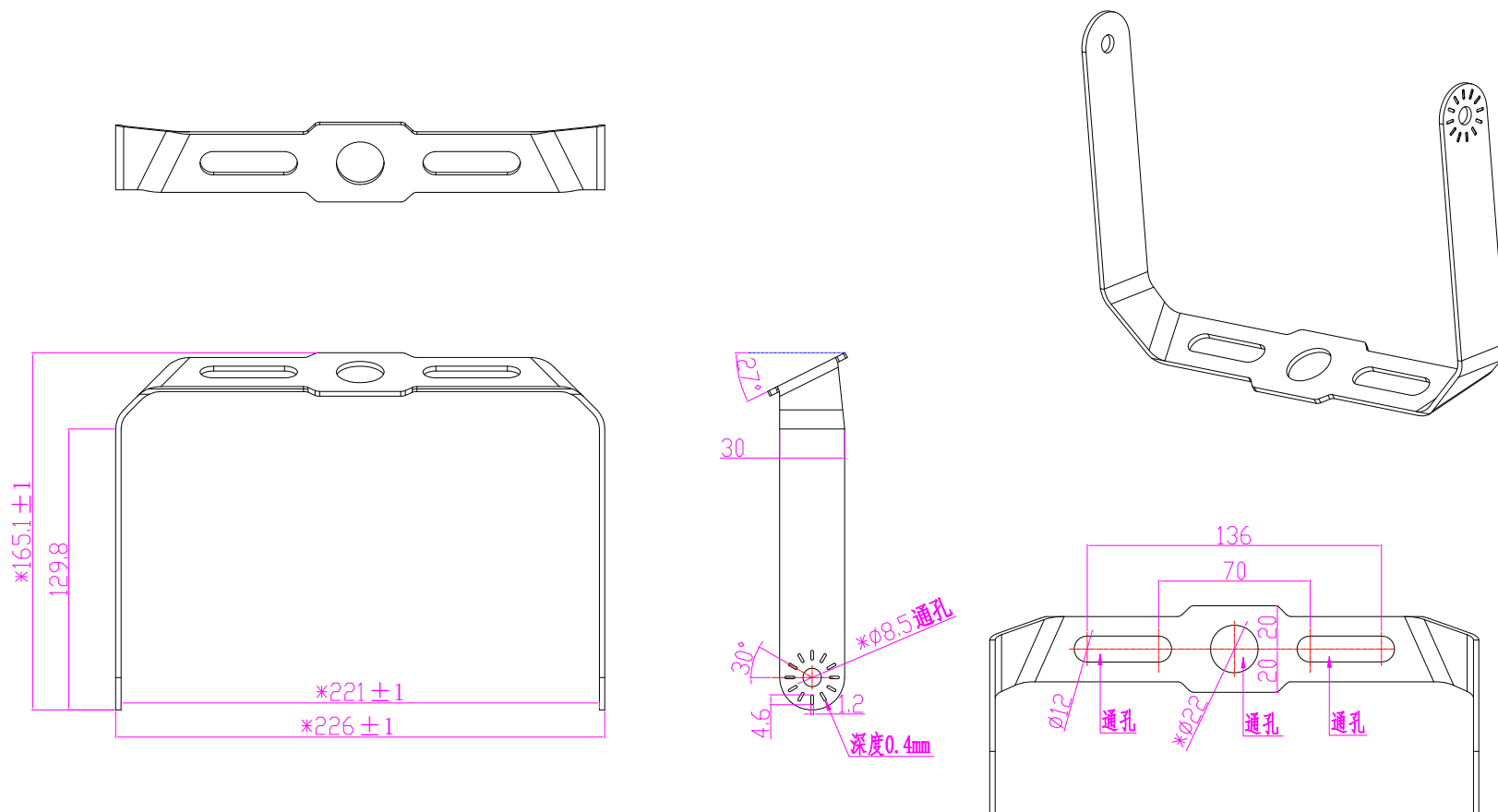
默认公差		发行章		产品名称		旋转支架	
尺寸	公差	图号	FL0870-301	名称	FL0870-70W	版本	C
五金	±0.1	材料	ADC12	比例	1:1	图次	
与塑料	±0.2	设计	谷自扬	日期	2019.1.4	图次	A4
	±0.3	审核		日期		图次	
	±0.4	批准		日期		图次	
其它	±1.0	谷自扬					
	±1.5	签名					
	±2.0	更改次数	3				
	>120	更改标记	③				
外形取公差, 内孔取正公差, 角度40.5° 圆角R0.5 连接圆角0.5°							

深圳市拓享科技有限公司

Figure-2 Page-1



The following Page(s) are related to Figure-2E. The next supplement, if applicable, will be identified with a new Supplement Page Heading.

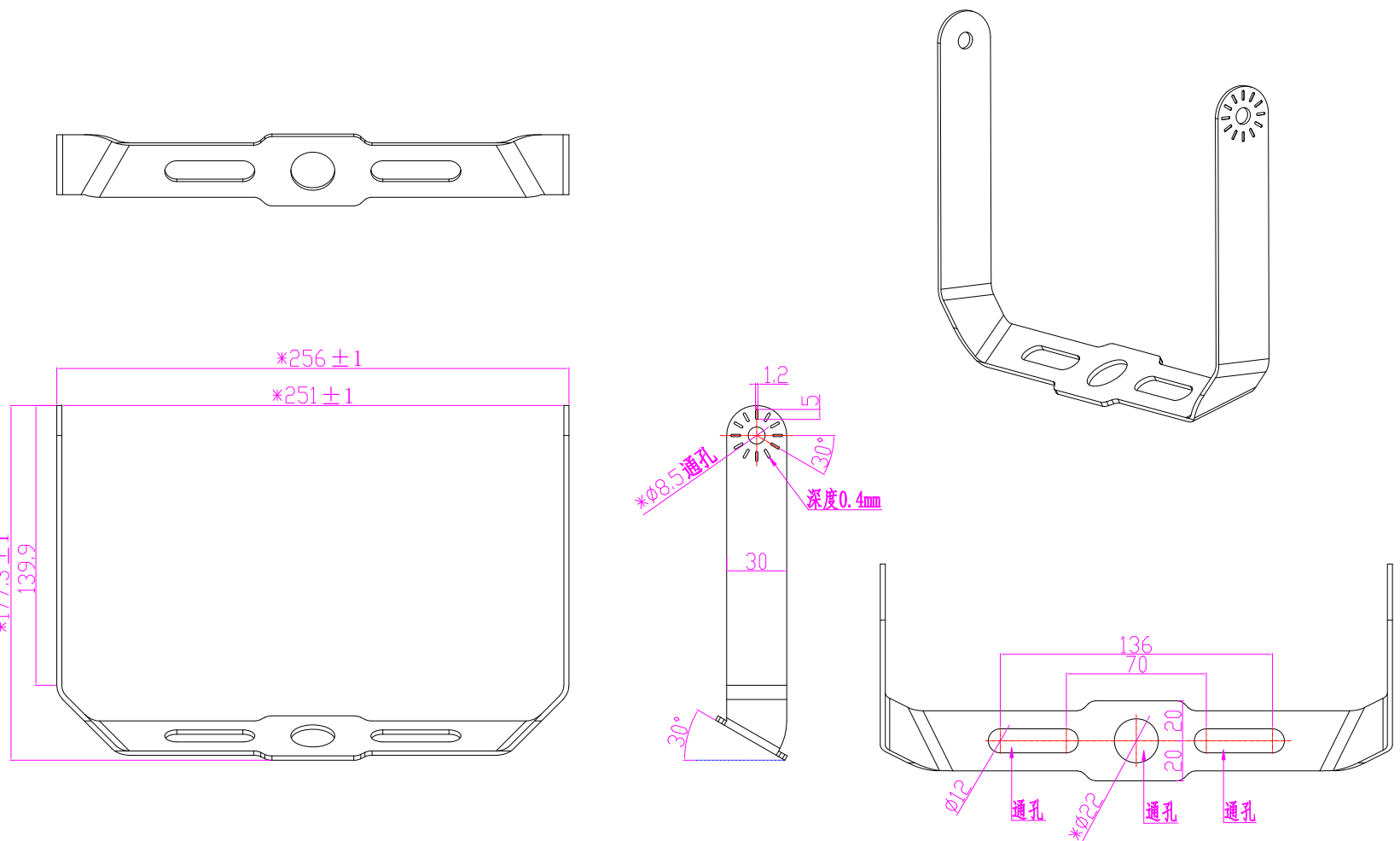


**技术要求:**

- 1.符合ROHS 2.0:2011/65/EU要求;
- 2.材质:SPCC,喷户外粉,灰棕色(RAL8019)  
T=2.5, 哑纹面;
- 3.表面光滑平整,无刮伤、披锋、油污,变形等不良现象;
- 4.带\*为重点控制尺寸;

默认公差			发行章			产 品 号	RD23-26	名 称	U型支架80W		
五金 与 塑 胶	尺 寸	公 差				图 号	N1B-01009		版 次	A	
	0 ~ 3	±0.1				材 料	SPCC		比 例	1: 1	
	3 ~ 10	±0.2				设 计	朱文超	日 期	2023. 12. 21	图 纸 尺 寸	A4
	10 ~ 50	±0.3				审 核		日 期			
	50 ~ 200	±0.4				批 准		日 期			
	200 ~ 400	±0.5				深圳市拓享科技有限公司			更改标记 更改处数 签名		
>400	±1.0										
0 ~ 30	±1.0										
其它	30 ~ 120	±1.5									
	>120	±2.0									
外径取负偏差,内孔取正偏差,角度±0.5°,圆角R0.5,拔模斜度<0.5°											

The following Page(s) are related to Figure-2F. The next supplement, if applicable, will be identified with a new Supplement Page Heading.

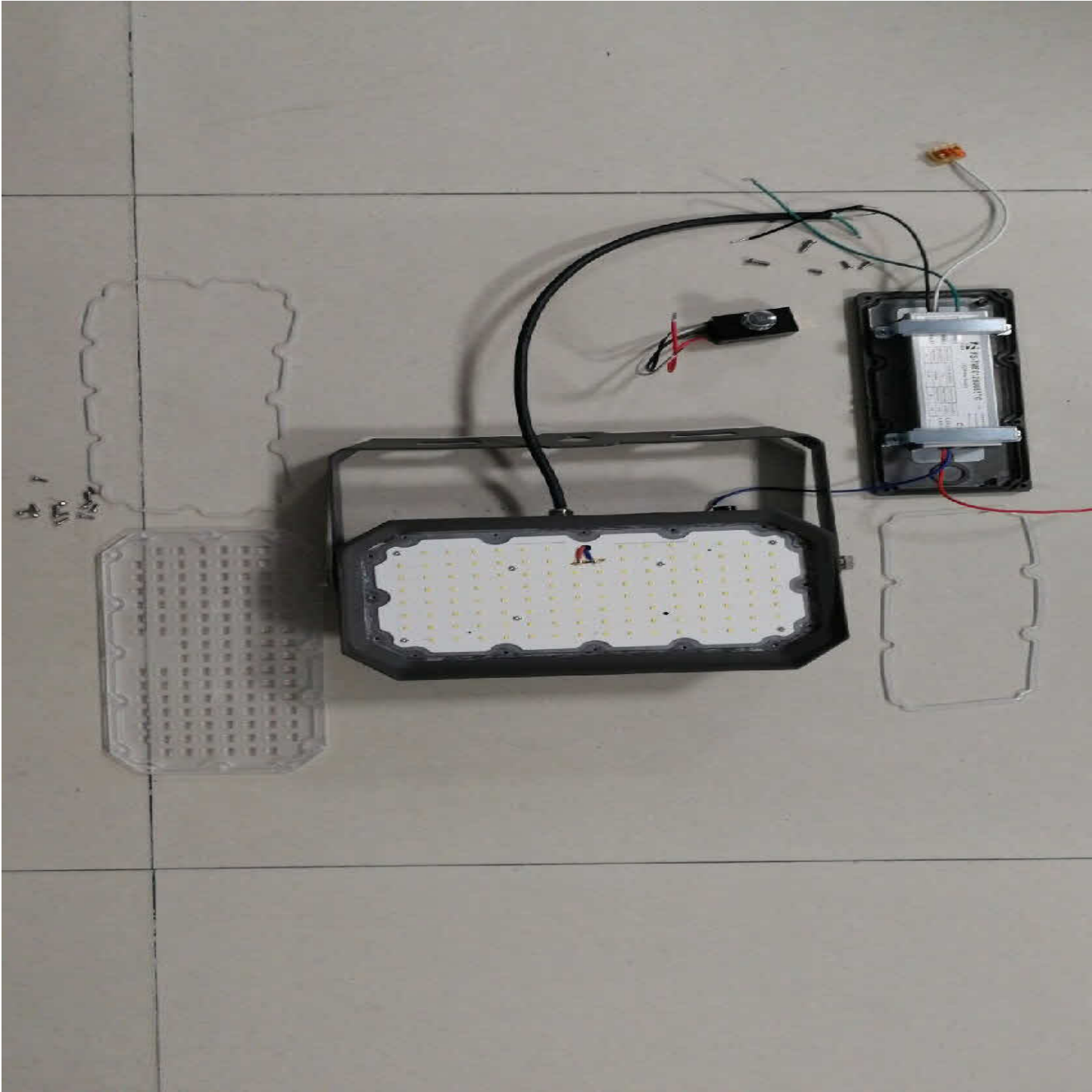


**技术要求:**

- 1.符合ROHS 2.0:2011/65/EU要求;
- 2.材质:SPCC,喷户外粉,灰棕色(RAL8019)  
T=2.5, 哑纹面;
- 3.表面光滑平整,无刮伤、披锋、油污,变形等不良现象;
- 4.带\*为重点控制尺寸;

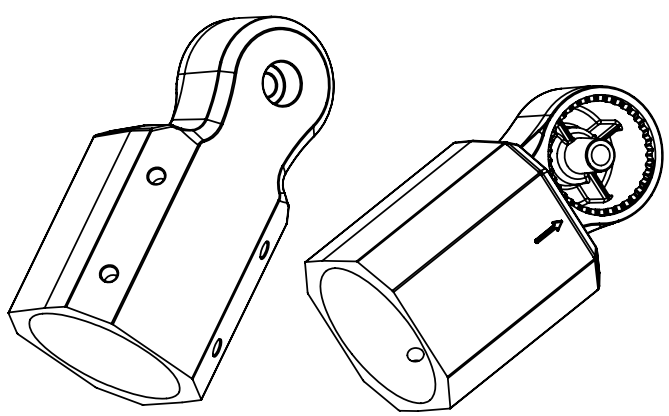
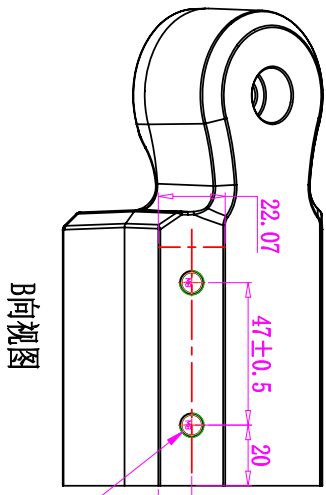
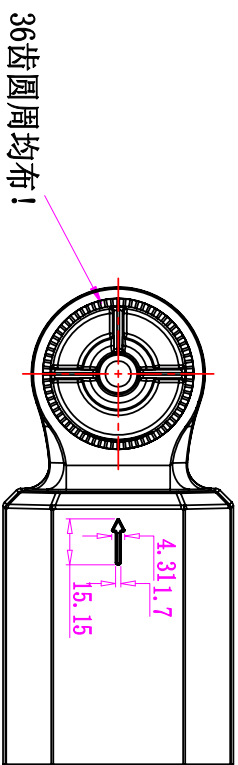
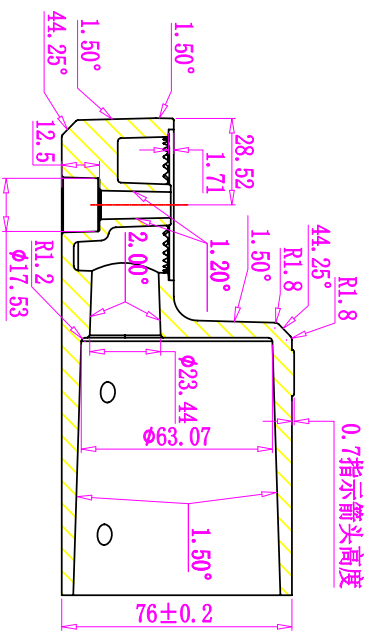
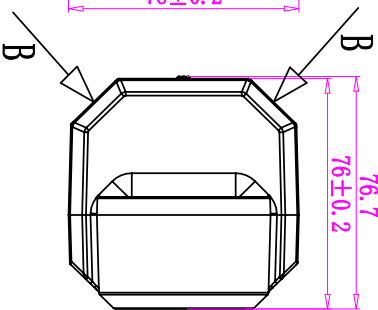
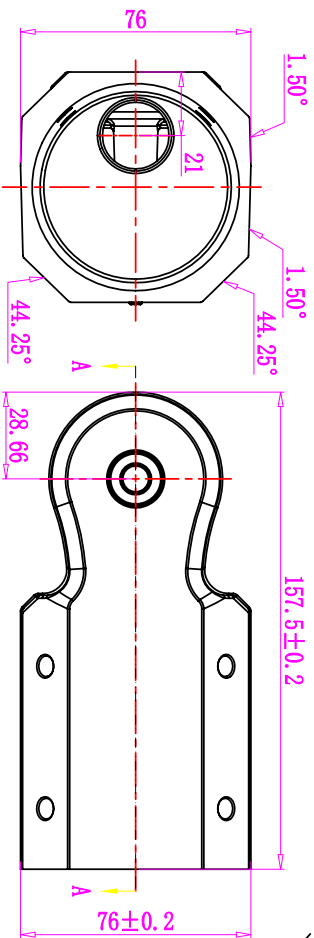
默认公差		发行章		产 品 号	RD23-26		名 称	U型支架120W	
五金 与 塑胶	尺寸	公差			图 号	N1B-01010		版 次	A
	0 ~ 3	±0.1			材 料	SPCC		比 例	1: 1
	3 ~ 10	±0.2			设 计	朱文超	日期	2023.12.21	图 纸 尺 寸 A4
	10 ~ 50	±0.3			审 核	日期			
	50 ~ 200	±0.4			批 准	日期			
	200 ~ 400	±0.5			<div style="text-align: center;"> <b>深圳市拓享科技有限公司</b> </div>				
>400	±1.0								
0 ~ 30	±1.0								
其它	30 ~ 120	±1.5	更改标记	更改处数	签名				
	>120	±2.0							
外径取负偏差,内孔取正偏差,角度 ±0.5°,圆角R0.5,拔模斜度<0.5°									

Figure-3 Page-1



The following Page(s) are related to Figure-3B. The next supplement, if applicable, will be identified with a new Supplement Page Heading.





Scale: 0.8

**技术要求:**

1. 符合ROHS 2.0:2011/65/EU要求;
2. 表面光滑平整, 无刮伤、披锋、油污等不良现象;
3. 材质: ADC12, 重约657克;
4. 喷户外粉, 颜色见BOM, 不可露底, 满足百格测试;
5. 螺丝孔内不可喷粉, 确保所有螺丝孔通畅
6. 未标注尺寸到3D取数, 未注公差按图框内默认公差;

默认公差		发行章		产品名称		路灯支架	
尺寸	公差	图号	FL0870-302	名称	FL0870-70W	版本	A
五金	±0.1	材料	ADC12	比例		图次	1:1
与塑料	±0.2	设计	谷自扬	日期	2018.11.9	图次	A4
0~3	±0.1	审核		日期		图次	
3~10	±0.2	批准		日期		图次	
10~50	±0.3						
50~200	±0.4						
200~400	±0.5						
>400	±1.0						
0~30	±1.0						
30~120	±1.5						
>120	±2.0						
其它	±2.0	谷自扬					
外径取公差, 内孔取正公差, 角度	±2.0	签名					
40.5° 圆锥RO5.5 锥角精度: 0.5°							
		更改标记		更改次数			

深圳市拓享科技有限公司

Figure-4 Page-1

