



Thank you for giving UL the opportunity to partner with you.

Please note, Follow-Up Procedure Revisions or Report Revisions do not include Authorization Pages, Indices, Section General, and/or Appendices unless revisions were required or requested.

Should you have any questions, after reviewing the material, or need to report any inaccuracies, please reach out to your UL representative or find UL contact details for your local Customer Service Department at <https://www.ul.com/about/locations>.

Please find attached the related material on Project

For your convenience, the below describes the related updates:

E359465-20220616-Description
Figure-3-Total
Illustration-1-Total
E359465-20220616-TestRecord

This material is provided on behalf of UL LLC (UL) or any authorized licensee of UL.

Times change, Trust Remains™

File E359465
Project 4789880982.68.1

June 16, 2022

REPORT

On

LIGHT-EMITTING-DIODE LUMINAIRE RETROFIT KITS

Under the

CLASSIFICATION PROGRAM

TAIZHOU JIAOGUANG LIGHTING CO., LTD
Zhejiang, China

Copyright © 2022 UL LLC

UL LLC authorizes the above named company to reproduce this Report only for purposes as described in the Conclusion, provided it is reproduced in its entirety.

PRODUCT COVERED:

USC, CNC - Light-Emitting-Diode Retrofit Luminaire Conversion Kits,
Models D236D-XX-CCT-XX, D556-XX-CCT-XX-MS.

Note:

The first "XX" represent CRI, it could be 70 or 80 or 90.

The last "XX" represent Housing color, it could be BR(Brown), WH(White),
BK(Black) or NK(Nickel) or others.

Notes: USC - United States Standard, Classified
CNC - Canadian Standard, Classified

ELECTRICAL RATINGS:

Model Numbers	Lamp Base	Input Ratings				Env (*) Rating
		(V)	(Hz)	(mA)	(W)	
D236D-XX-CCT-XX	E26	120	50/60	-	15	Wet
D556-XX-CCT-XX-MS	E26	120	50/60	-	15	Wet

(*) Environmental Rating as follows:

Dry = Dry Location Only

Damp= Dry or Damp Location Only

Wet = Dry, Damp, or Wet Location

Model Number	PARTS/COMPONENTS INCLUDED IN KIT	TARGET LUMINAIRE		
		APPLICATIONS	TYPE	LAMP-HOLDER
D236D-XX-CCT-XX D556-XX-CCT-XX-MS	<ul style="list-style-type: none"> ▪ Installation Instructions ▪ LED Lamp Luminaire Marking Labels ▪ Miscellaneous Hardware 	<ul style="list-style-type: none"> ▪ Permanently Connected Luminaires ▪ Recessed Can Lighting ▪ Recessed Non-IC ▪ Recessed IC 	Closed type (Diffuser or Lens/Cover)	E26

TECHNICAL CONSIDERATIONS (NOT FOR FIELD REPRESENTATIVE'S USE):

USC - Products designated USC have been investigated using US requirements as noted in the Test Record.

CNC - Products designated CNC have been investigated using Canadian requirements as noted in the Test Record.

These products are classified as to FIRE and SHOCK hazards only.

CUL GENERAL CONSTRUCTION:

Products bearing the C-UL mark shall comply with all applicable requirements of Section General and this report.

Unless otherwise specified, all components of products bearing the C-UL mark shall be Listed or Recognized for Canada or CSA Certified, in addition to being UL Listed or Recognized.

CONSTRUCTION DETAILS

The product covered shall be constructed in accordance with the Section General, and following description.

Grounding and Bonding - The retrofit kit described within this report shall use the existing grounding terminal provided within the luminaire being retrofitted.

Supply Leads - Leads intended for field connection to the branch circuit shall have at least 150mm (6 inches) of free length.

For Recessed Can Type Luminaire

The units covered in this report are intended to retrofit Type IC or non-IC recessed mount Listed luminaires, covered ceiling recessed luminaire with instructions to remove the existing trim. The minimum dimensions of luminaries are tabulated below.

LED lamp intended to retrofit in original luminaire	Luminaire Dimension Diameter x Height (mm)
D236D-XX-CCT-XX	152 x 195
D556-XX-CCT-XX-MS	152 x 195

MARKINGS AND INSTRUCTIONS

All units shall be provided with marking in accordance with the Standard, Section General and as followed. All markings shall be legible. The following markings are required. If markings are on a label, the label must be R/C (PGDQ2) or (PGJI2), suitable for the surface and rated min. 90 °C.

"Verbatim" indicates that the marking shall consist of only the exact words shown, or a marking including these words and conveying the original intent.

See the Section General for marking and installation instruction requirements applicable to all products. In addition, the instructions shall include the following:

INSTALLATION INSTRUCTIONS		FORMAT
"WARNING - Risk of fire or electric shock. LED Retrofit Kit installation requires knowledge of luminaires electrical systems. If not qualified, do not attempt installation. Contact a qualified electrician."		S24-L5
"WARNING - Risk of fire or electric shock. Install this kit only in luminaires that have the construction features and dimensions shown in the photographs and/or drawings and where the input rating of the retrofit kit does not exceed the input rating of the luminaire."		S24-L5
"Do not make or alter any open holes in an enclosure of wiring or electrical components during kit installation."	VERBATIM	S24-L5
"WARNING - To prevent wiring damage or abrasion, do not expose wiring to edges of sheet metal or other sharp objects."		S24-L5
THE RETROFIT KIT IS ACCEPTED AS A COMPONENT OF A LUMINAIRE WHERE THE SUITABILITY OF THE COMBINATION SHALL BE DETERMINED BY AUTHORITIES HAVING JURISDICTION. PRODUCT MUST BE INSTALLED BY A QUALIFIED ELECTRICIAN IN ACCORDANCE WITH THE APPLICABLE AND APPROPRIATE ELECTRICAL CODES. THE INSTALLATION GUIDE DOES NOT SUPERSEDE LOCAL OR NATIONAL REGULATIONS FOR ELECTRICAL INSTALLATIONS.	VERBATIM	S24-L5
"Installers should examine all parts that are not intended to be replaced by the retrofit kit for damage and replace any damaged parts prior to installation of the retrofit kit."		S24-L5

All kits shall be provided with a self-adhesive label, intended for application to the retrofitted luminaire in accordance with the kit's installation instructions, which includes the following markings:

LUMINAIRE LABEL MARKINGS		FORMAT
"This luminaire has been modified to operate LED lamps. Do not attempt to install or operate ___*___ lamps in this luminaire", where "*" represents the luminaire's original light source (i.e.: "fluorescent," "HID," etc.).	VERBATIM	S24-L1
LED Lamp Replacement Marking - Identifying the replacement LED lamp type/model to be used along with manufacturer and ordering information.		S24-L1

Retrofit Kit Marking		FORMAT
Identification of the company responsible for the product, which may be in a traceable code if device is identified by a brand or trademark owned by a private labeler		S16-L2
Catalog number, model number, series number, or other similar designation		S16-L2
Date code, per Section General.		S16-L2
Factory identification, per Section General or Authorization Page Addendum		S16-L2
Electrical input rating: "___ VOLTS ___ AMPS ___ WATTS ___ HERTZ" or "___ V ___ A (or mA) ___ W ___ Hz"		S16-L3
SUITABLE FOR WET LOCATIONS	VERBATIM	S16-L2

Classification Mark shall include the following or similar:

"LED RETROFIT LUMINAIRE CONVERSION
FOR USE ONLY WITH FLUORESCENT LUMINAIRES
IN ACCORDANCE WITH THE INSTRUCTIONS PROVIDED WITH THIS RETROFIT KIT

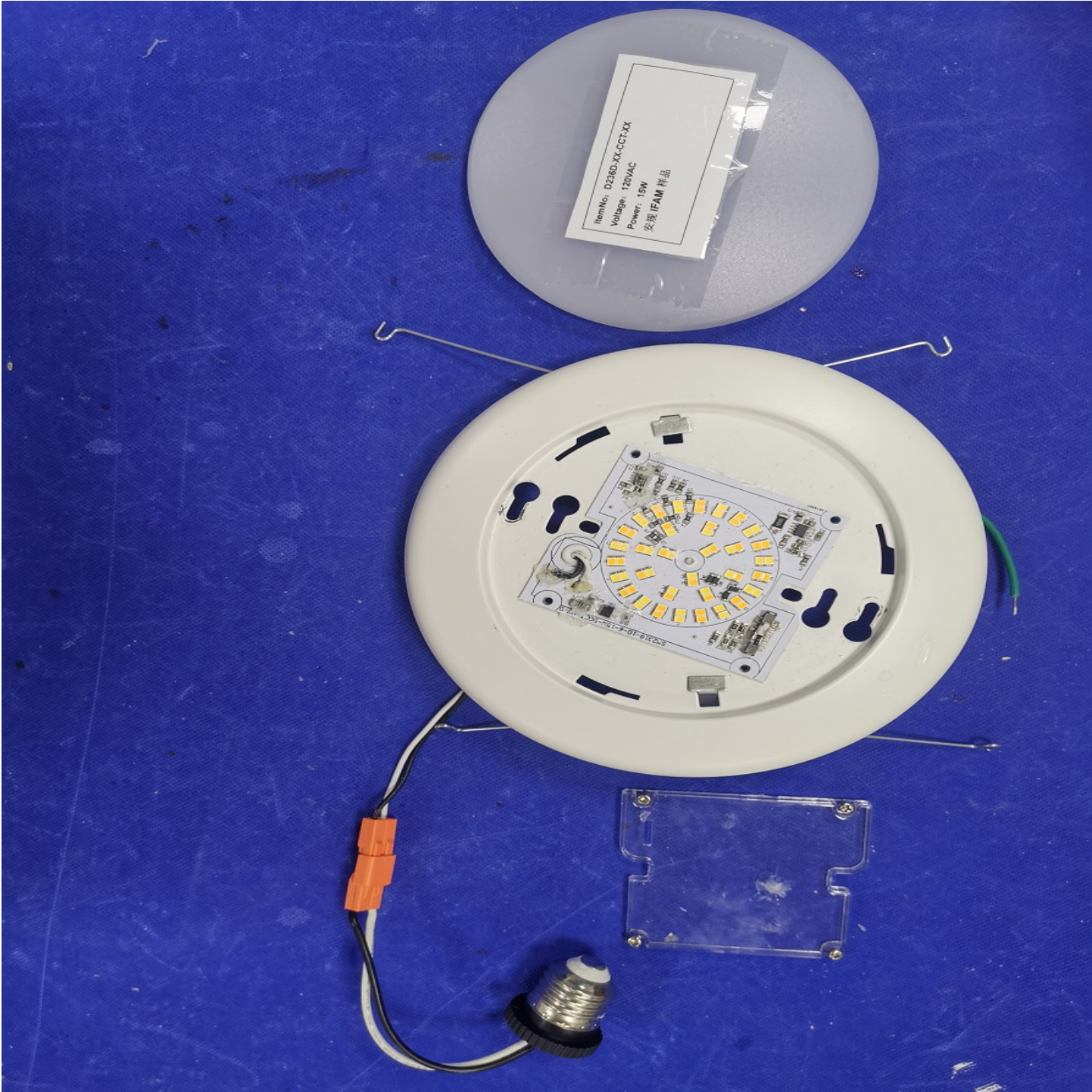
or

LED RETROFIT LUMINAIRE CONVERSION
FOR USE ONLY WITH PRODUCTS DESCRIBED AND INSTALLED
IN ACCORDANCE WITH THE INSTRUCTIONS PROVIDED WITH THIS RETROFIT KIT"

Figure-1 Page-1



Figure-3 Page-1



LED 6" RETROFIT TRIM INSTALLATION INSTRUCTIONS - MODEL D236D-XX-CCT-XX

Please read carefully and save these instructions, as you may need them at a later date.

WARNING - RISK OF ELECTRIC SHOCK. DISCONNECT MAIN POWER AT FUSE OR CIRCUIT BREAKER BEFORE INSTALLING OR SERVICING THE FIXTURE.

"WARNING - Risk of fire or electric shock. LED Retrofit Kit installation requires knowledge of luminaires electrical systems. If not qualified, do not attempt installation. Contact a qualified electrician."

"WARNING - Risk of fire or electric shock. Install this kit only in luminaires that have the construction features and dimensions shown in the photographs and/or drawings and where the input rating of the retrofit kit does not exceed the input rating of the luminaire."

"Do not make or alter any open holes in an enclosure of wiring or electrical components during kit installation."

"WARNING - To prevent wiring damage or abrasion, do not expose wiring to edges of sheet metal or other sharp objects."

THE RETROFIT KIT IS ACCEPTED AS A COMPONENT OF A LUMINAIRE WHERE THE SUITABILITY OF THE COMBINATION SHALL BE DETERMINED BY AUTHORITIES HAVING JURISDICTION. PRODUCT MUST BE INSTALLED BY A QUALIFIED ELECTRICIAN IN ACCORDANCE WITH THE APPLICABLE AND APPROPRIATE ELECTRICAL CODES. THE INSTALLATION GUIDE DOES NOT SUPERSEDE LOCAL OR NATIONAL REGULATIONS FOR ELECTRICAL INSTALLATIONS.

"Installers should examine all parts that are not intended to be replaced by the retrofit kit for damage and replace any damaged parts prior to installation of the retrofit kit."

ASSEMBLY AND INSTALLATION

INCANDESCENT HOUSINGS

• Unscrew the WING NUT inside the CAN to detach the SOCKET BRACKET from the CAN. Disengage the SOCKET from the SOCKET BRACKET. (FIG. 2)

• Thread the SOCKET ADAPTER into the SOCKET. (FIG. 3)

• Place spring on mounting bracket and complete the installation by twisting the lens on the light. (FIG. 4)

• If using TORSION SPRINGS, squeeze both TORSION SPRING arms together and insert into the TORSION SPRING SLOTS (or place spring on mounting bracket RECEIVER BRACKETS) of the CAN. (FIG. 5)

• Tuck all wires into the CAN and carefully push the RETROFIT TRIM into CAN. (NOTE: To provide enough room in shallow cans, carefully position SOCKET ADAPTER and SOCKET adjacent to the long side of the LED DRIVER prior to inserting the RETROFIT TRIM into the CAN.) (FIG. 5)

• After installation, clamp the spring hook. (FIG. 6)

LED HOUSINGS

• Plug the FEMALE CONNECTOR of the RETROFIT TRIM onto the MALE CONNECTOR of the HALO HOUSING. (FIG. 5)

• If using TORSION SPRINGS, squeeze both TORSION SPRING arms together and insert into the TORSION SPRING SLOTS (or RECEIVER BRACKETS) of the CAN. (FIG. 5)

• Tuck all wires into the CAN and carefully push the RETROFIT TRIM into CAN. (NOTE: To provide enough room in shallow cans, carefully position SOCKET ADAPTER and SOCKET adjacent to the long side of the LED DRIVER prior to inserting the RETROFIT TRIM into the CAN.) (FIG. 5)

• After installation, clamp the spring hook. (FIG. 6)

• Once the fixture is mounted on the wall, caulk the space between the wall and the Shell. (FIG. 7)

• Caulk the space between the lens and the Shell. (FIG. 8) **DIMMING**

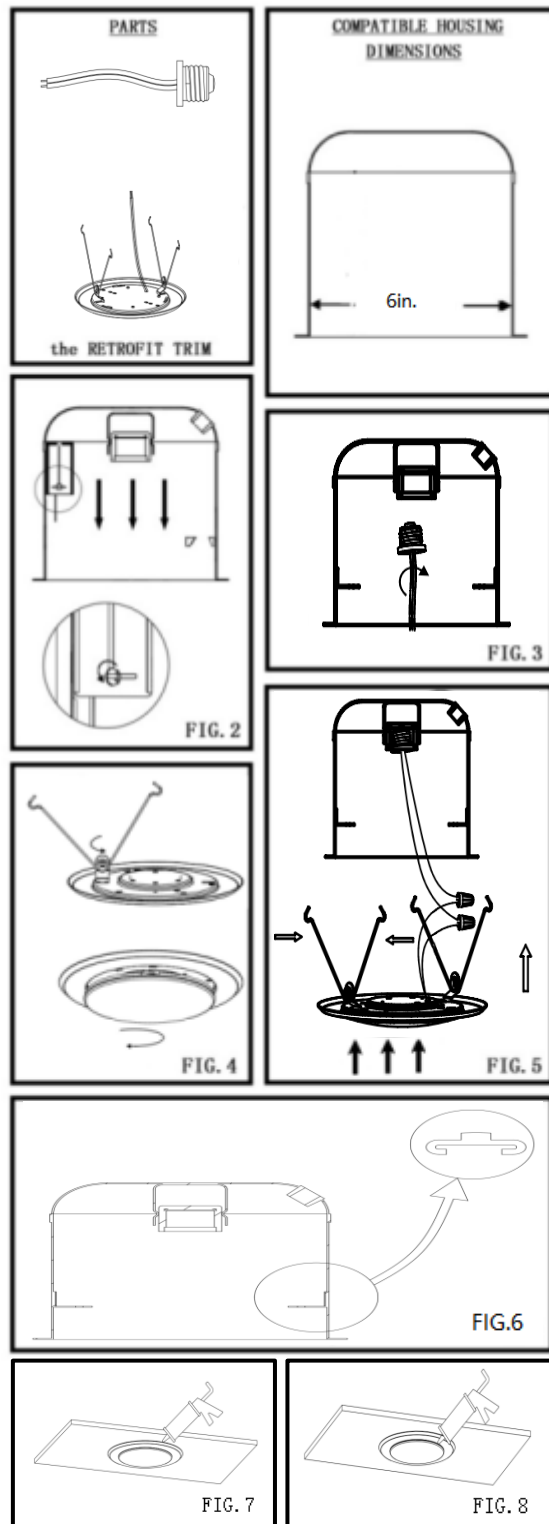
Dimming performance may depend on the dimmer, the dimmer range adjustment setting (for dimmers with brightness range adjustments), the wiring method, and/or the number of LED modules installed onto the dimmer circuit.

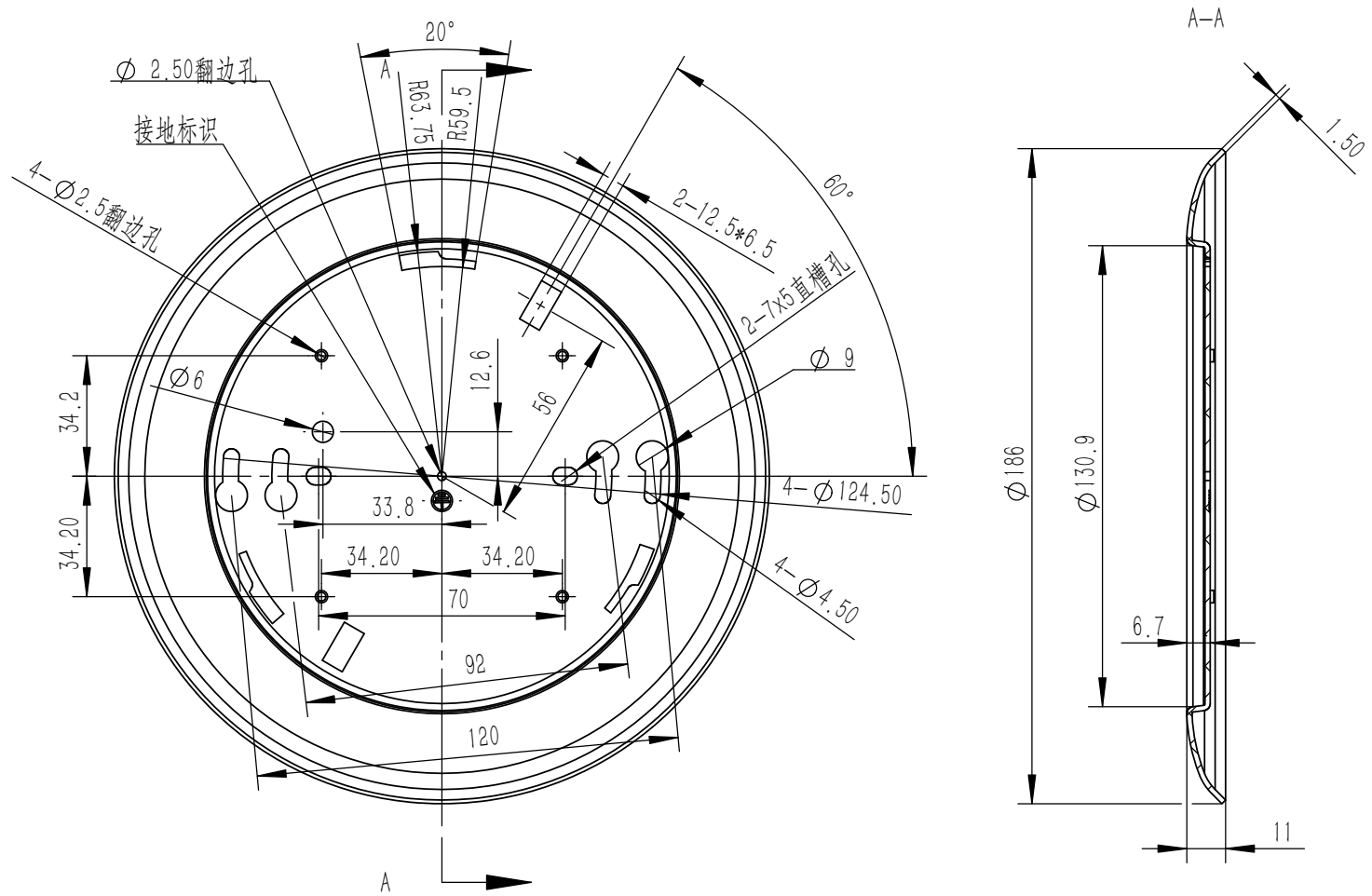
• For dimmer selection, Dimming control manufacturers revise their product often; for the latest list of compatible dimmers please visit our website.

• For best results, it is recommended to install a minimum of four LED modules onto one dimmer.

• Before turning on the LED lights, set dimmer position at maximum before adjusting to a lower light level.

• Please follow the dimming control manufacturer's instructions for the installation of all dimming controls.

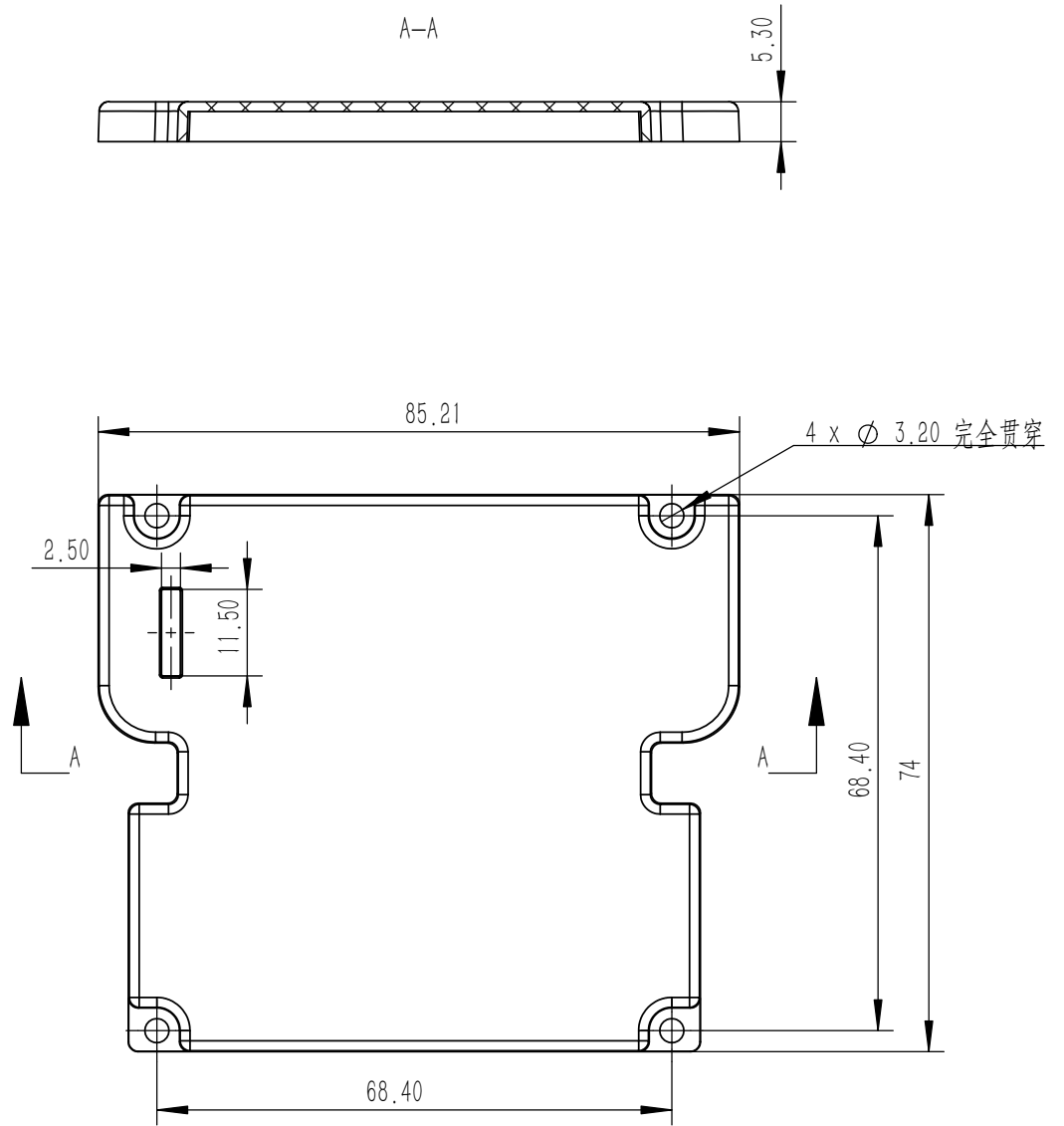




技术要求

1. 未注尺寸公差按GB/T 1804-2000-f规定;
2. 锐角倒钝;
3. 要求表面光洁无毛刺;
4. 提供首件样品确认。

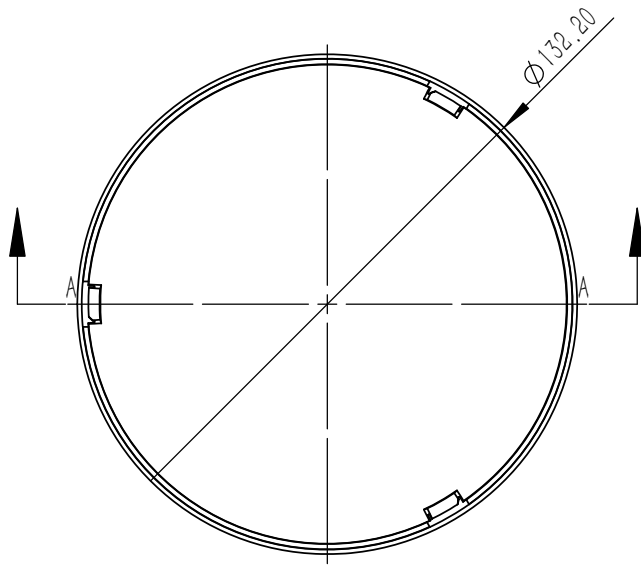
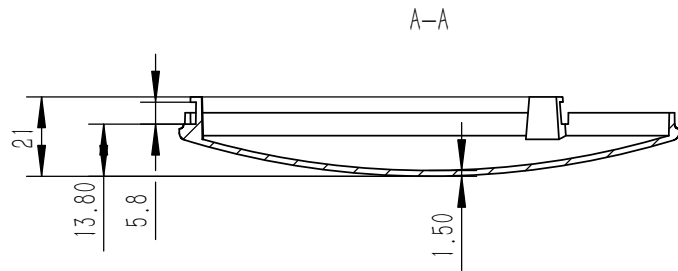
						铝1060			台州市椒光照明有限公司	
标记	处数	分区	更改文件号	签名	年月日	阶段标记	质量	比例	D236_A0_冲铝主体_旋转孔	
设计			工艺				117.52	1:2		
审核			标准化			共1页 第1页				
批准			会签			版本			2.05.0063	
						版本		V1.0		零件



技术要求

1. 未注尺寸公差按GB/T 1804-2000-m规定;
2. 锐角倒钝;
3. 要求表面光洁无毛刺;
4. 提供首件样品确认。

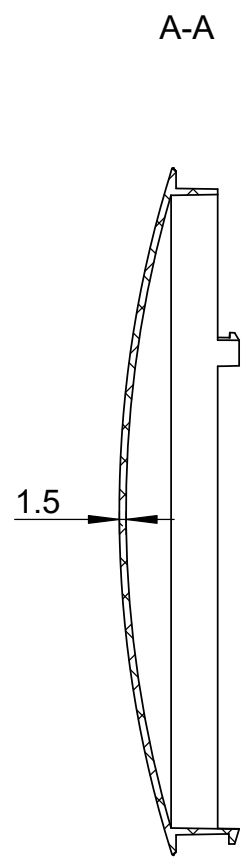
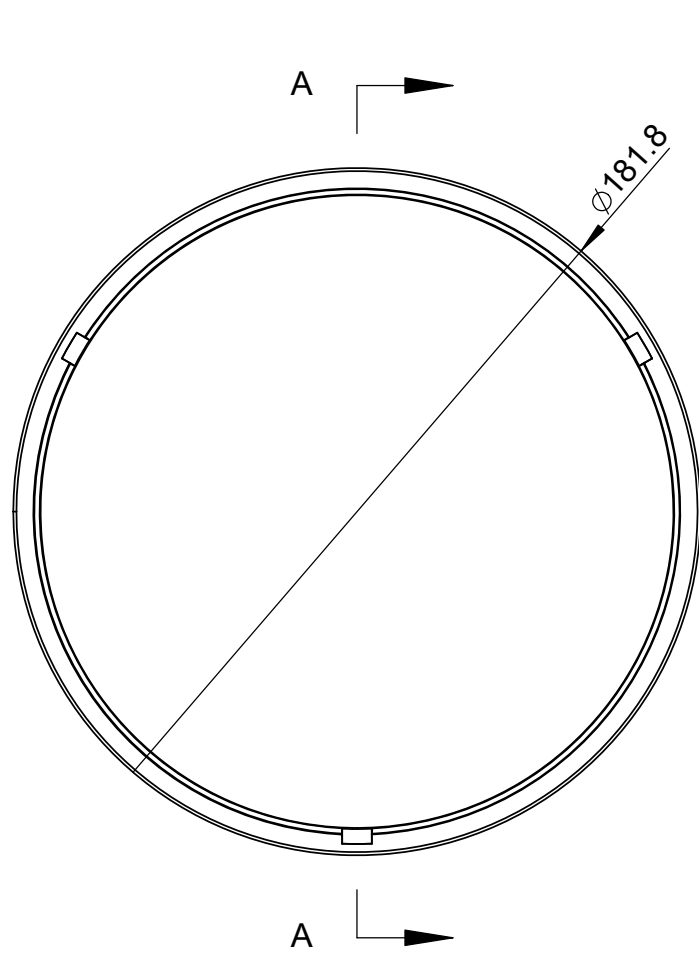
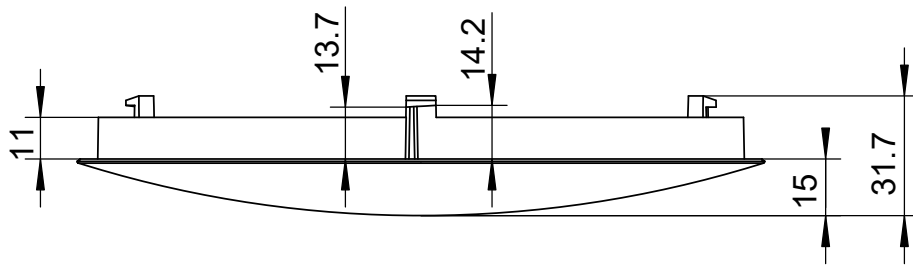
						PC透明			台州市椒光照明有限公司		
标记	处数	分区	更改文件号	签名	年月日	阶段标记	质量	比例	D236_D0_DOB调色温内透镜		
设计			工艺				10.75	1:1			
审核			标准化			共1页 第1页			3.20.0493		
批准			会签			版本	V1.0		零件		



技术要求

1. 未注尺寸公差按GB/T 1804-2000规定；
2. 锐角倒钝；
3. 要求表面光洁无毛刺；
4. 提供首件样品确认。

						PC			台州市椒光照明有限公司	
标记	处数	分区	更改文件号	签名	年月日	阶段标记	质量	比例	D236_透镜	
设计			工艺				33.298	1:2		
审核			标准化			共1页 第1页				
批准			会签			版本	A0	零件		



技术要求

1. 未注尺寸公差按GB/T 1804-2000-f规定;
2. 锐角倒钝;
3. 要求表面光洁无毛刺;
4. 提供首件样品确认。

						台州市椒光照明有限公司		
标记	处数	分区	更改文件号	签名	年月日	阶段标记	质量	比例
设计			工艺				69.29	1:2
审核			标准化			共1页 第1页		
批准			会签					
						版本	A0	零件